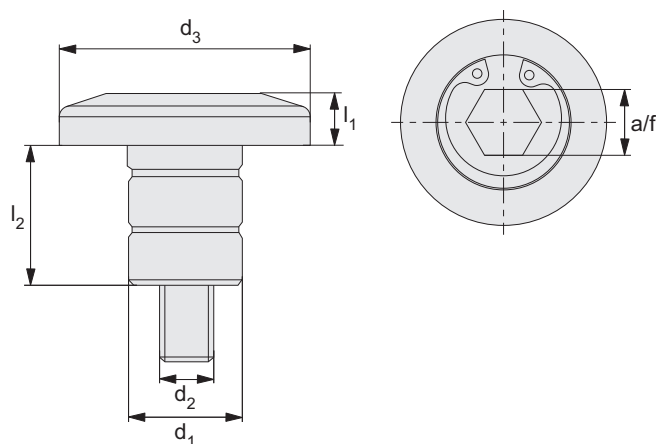
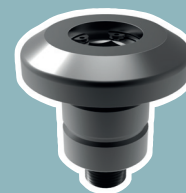


Locator Unit - Standard



SLO610



Material

Heat treated, high strength alloy steel. Black oxide finish.
Strength: 180,000+ PSI.

Technical Notes

Easy locating. It installs and locks in seconds.
Offers $\pm 0,0004$ " accuracy in workholding.

Tips

The exclusive self-extracting mechanism eliminates the need for prying, pounding or using jack screws to separate fixture and base plates. It enables it to be easily removed from counterbored installations.

CLAMPING SYSTEMS

Order No.	Fixture plate thickness $\pm 0,005$ (inch)	d_1 (mm)	l_1 (inch)	d_2 (inch)	d_3 (inch)	l_2 (inch)	Max. hold down force lbs.
SL0610.H0131	0,50	13	,250	1/4-20	1,000	0,780	2964
SL0610.H0132	0,75	13	,250	1/4-20	1,000	1,030	2964
SL0610.H0161	0,50	16	,312	5/16-18	1,375	0,780	5385
SL0610.H0162	0,75	16	,312	5/16-18	1,375	1,030	5385
SL0610.H0163	1,00	16	,312	5/16-18	1,375	1,280	5385
SL0610.H0201	0,75	20	,375	3/8-16	1,625	1,070	8107
SL0610.H0202	1,00	20	,375	3/8-16	1,625	1,320	8107
SL0610.H0203	1,50	20	,375	3/8-16	1,625	1,820	8107
SL0610.H0204	2,00	20	,375	3/8-16	1,625	2,320	8107
SL0610.H0251	0,75	25	,406	1/2-13	1,800	1,065	14709
SL0610.H0252	1,00	25	,406	1/2-13	1,800	1,315	14709
SL0610.H0254	1,50	25	,406	1/2-13	1,800	1,815	14709
SL0610.H0255	2,00	25	,406	1/2-13	1,800	2,315	14709
SL0610.H0301	0,75	30	,500	1/2-13	2,125	1,150	22623
SL0610.H0302	1,00	30	,500	5/8-11	2,125	1,400	22623
SL0610.H0303	1,50	30	,500	5/8-11	2,125	1,900	22623
SL0610.H0304	2,00	30	,500	5/8-11	2,125	2,400	22623
SL0610.H0351	0,75	35	,500	3/4-10	2,250	1,150	31572
SL0610.H0352	1,00	35	,500	3/4-10	2,250	1,400	31572
SL0610.H0353	1,50	35	,500	3/4-10	2,250	1,900	31572
SL0610.H0534	2,00	35	,500	3/4-10	2,250	2,400	31572
SL0610.H0501	0,75	50	,687	1-8	3,000	1,270	46958
SL0610.H0502	1,00	50	,687	1-8	3,000	1,520	46958
SL0610.H0503	1,50	50	,687	1-8	3,000	2,020	46958
SL0610.H0504	2,00	50	,687	1-8	3,000	2,520	46958

