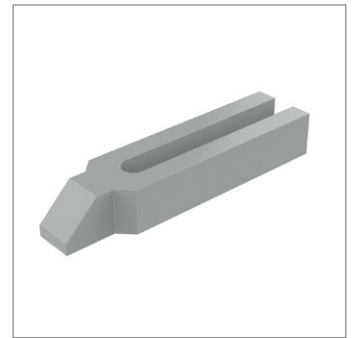
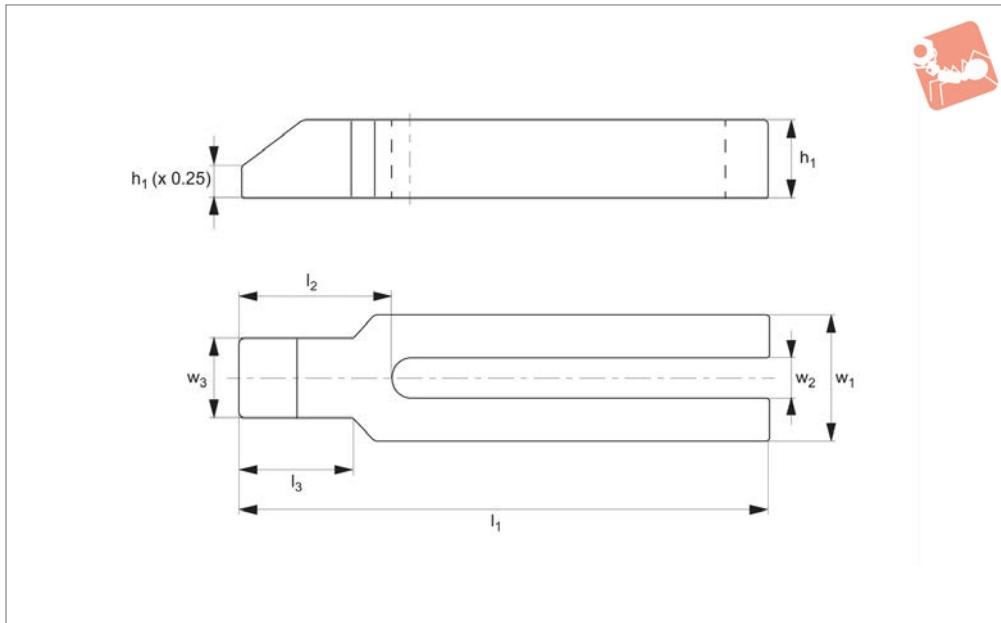




Forked Clamps with shoe

Standard Manual Clam-



10140

STANDARD MANUAL CLAMPING

Material

Steel, heat-treated and enamelled.

21000 T-slot bolts, 24000 T-nuts, 24400 collar nuts, 25000 plain washer.

Tips

Used with:

Order No.	For bolt	For bolt inch	l_1	l_2	l_3	w_1	w_2	w_3	h_1	Weight g
10140.W0009	M 8	5/16"	100	32	18	30	9	16	15	240
10140.W0011	M10	3/8"	125	38	24	30	11	20	20	380
10140.W0014	M12, M14	1/2"	160	47	30	40	14	24	25	800
10140.W0015	M12, M14	1/2"	200	47	30	40	14	24	25	950
10140.W0018	M16, M18	5/8"	200	57	36	50	18	28	30	1500
10140.W0019	M16, M18	5/8"	250	57	36	50	18	28	30	1850
10140.W0022	M20, M22	3/4"	250	68	45	60	22	35	40	2900
10140.W0023	M20, M22	3/4"	315	68	45	60	22	35	40	3600
10140.W0026	M24	1"	250	83	56	70	26	43	40	3400
10140.W0027	M24	1"	315	83	56	70	26	43	40	4300
10140.W0034	M30	1-1/4"	315	88	56	80	33	50	50	6000
10140.W0035	M30	1-1/4"	400	88	56	80	33	50	50	7300

