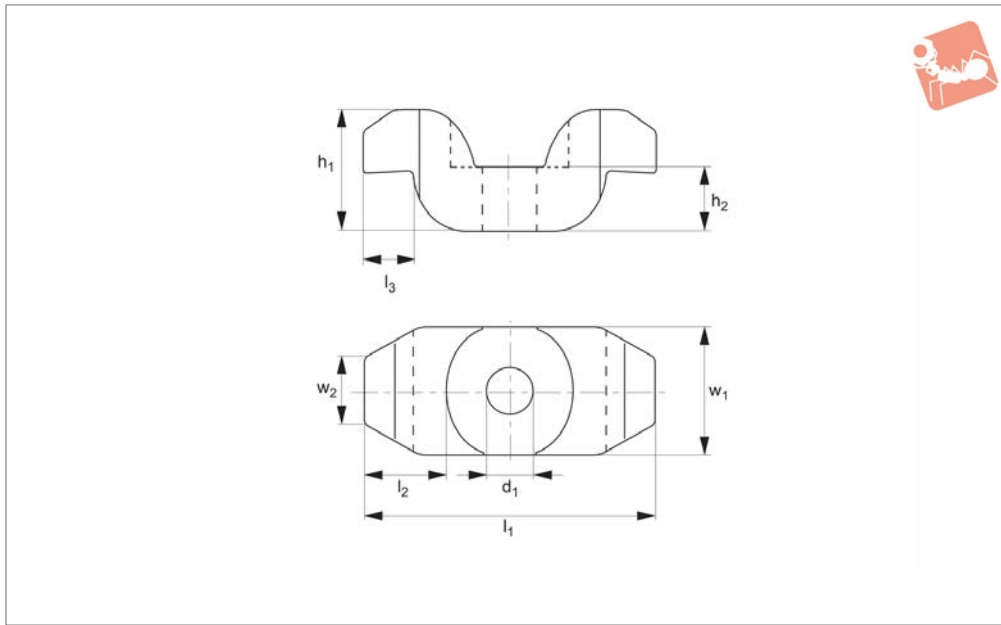




# Double Goose Neck Clamps

## Standard Manual Clam-



### 10220

STANDARD MANUAL CLAMPING

#### Material

Steel, heat-treated and enamelled.

21000 T-slot bolts, 24000 T-nuts, 24400 collar nuts, 25000 plain washer, 25700 dished washer.

#### Tips

Used with:

Order No.	For bolt	$l_1$	$l_2$	$l_3$	$w_1$	$w_2$	$h_1$	$h_2$	$d_1$	Weight g
<b>10220.W0018</b>	M12-M18	100	26	16	40	20	40	20	18	620
<b>10220.W0025</b>	M20-M24	140	38	24	60	30	60	30	25	2040