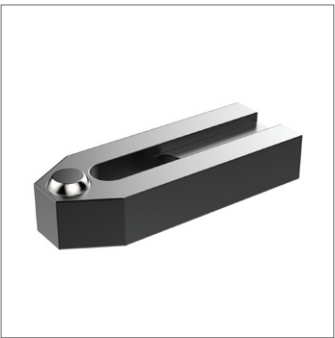
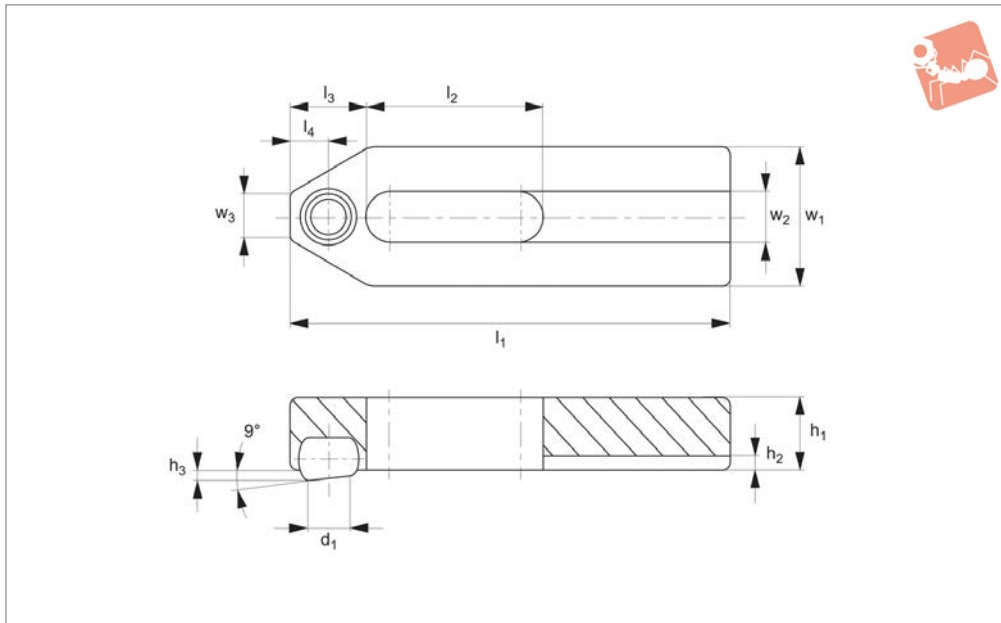




Plain Clamps with self-aligning support

Standard Manual Clam-



10300

STANDARD MANUAL CLAMPING

Material

Body: steel, heat-treated and blackened.
Ball: ball-bearing steel, hardened and bright.

Tips

Provides alignment of the clamp with the workpiece, useful where there is some component variation. For suitable supporting screw see part no. 18400.

Technical Notes

Ball secured against turning.

Order No.	For bolt	For bolt inch	l_1	l_2	l_3	l_4	w_1	w_2	w_3	h_1	h_2	h_3	Ball dia.	d_1	Weight g
10300.W0007	M 6	1/2"	50	20	10	5.0	20	6.6	8	10	2.5	1.6	8.5	5.8	61
10300.W0009	M 8	5/16"	60	22	13	6.5	25	9.0	10	12	3.0	2.0	10.0	7.2	109
10300.W0011	M10	3/8"	80	30	15	7.5	30	11.0	12	15	3.5	2.7	12.0	8.6	219
10300.W0014	M12	1/2"	125	50	21	10.5	40	13.0	14	20	4.0	3.5	16.0	10.5	615

