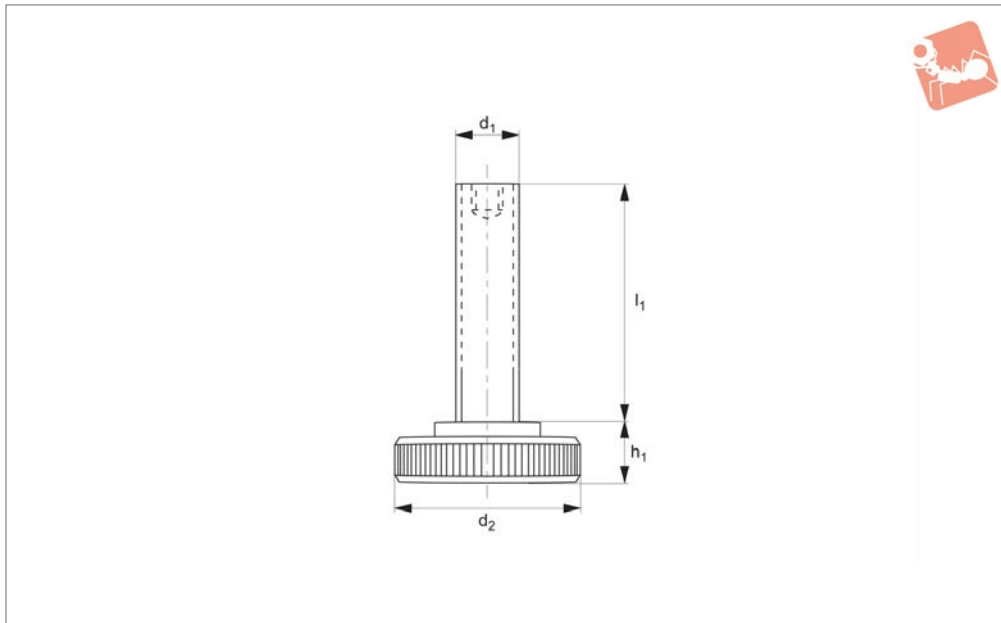




Support Screw for adjustable clamps

Standard Manual Clam-



10410

STANDARD MANUAL CLAMPING

Material

Steel, hardened, strength class 8.8.

Technical Notes

Suitable for all lockable clamps.

Order No.	$d_1 \times l_1$	d_2	h_1	Weight g
10410.W0010	M10x39	30	8	52
10410.W0012	M12x49	36	10	96
10410.W0013	M12x94	36	10	145
10410.W0016	M16x55	42	13	180
10410.W0017	M16x90	42	13	230
10410.W0020	M20x69	50	16	320
10410.W0021	M20x109	50	16	400
10410.W0024	M24x87	60	20	590
10410.W0025	M24x137	60	20	820
10410.W0030	M30x180	80	24	1704