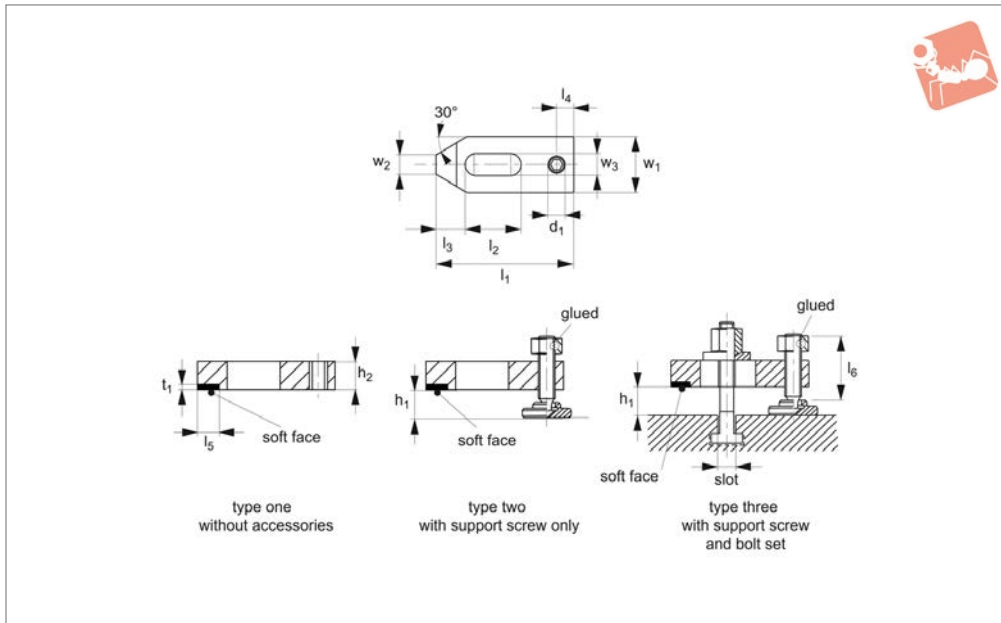




Adjustable Plain Clamps with soft brass face

Standard
Manual Clam-



10420

STANDARD MANUAL CLAMPING

Material

Clamps: steel, heat-treated, blackened.
Protective face: brass, brazed.

Technical Notes

Type one: clamp only.

Type two: clamp and support screw only.

Type three: clamp, support screw and T-bolt set.

h_1 - dependent on depth of slot and position of fixture nut.

The protective brass plate, brazed on to the clamp, acts to protect the workpiece from damage under clamping.

Tips

Often used for clamping press tools.

Used with:

10680 ratchet clamp level, 21000 T-slot bolt, 24400 collar nut, 25000 plain washer.

Replacement support screw see part nos. 34500 and 34520.

Order No.	Type	For bolt	Supplied T-bolt	T-slot size	$d_1 \times l_6$	h_1	h_2	l_2	l_3	l_4	l_5	t_1	w_1	$w_2 \times l_1$	w_3	Weight g
10420.W0010	One	M 8					12	22	13	8	10	2	25	9x60	10	104
10420.W0020	One	M10					15	30	15	10	12	2	30	11x80	12	211
10420.W0030	One	M12, M14					20	40	21	12	15	3	40	14x100	14	461
10420.W0040	One	M16, M18					25	45	26	16	20	3	50	18x125	18	917
10420.W0011	Two	M 8			M 8x40	8-23	12	22	13	8	10	2	25	9x60	10	150
10420.W0012	Two	M 8			M 8x60	8-43	12	22	13	8	10	2	25	9x60	10	160
10420.W0021	Two	M10			M10x60	10-38	15	30	15	10	12	2	30	11x80	12	295
10420.W0022	Two	M10			M10x80	10-58	15	30	15	10	12	2	30	11x80	12	310
10420.W0031	Two	M12, M14			M12x60	10-31	20	40	21	12	15	2	40	14x100	14	590
10420.W0032	Two	M12, M14			M12x100	10-71	20	40	21	12	15	3	40	14x100	14	620
10420.W0041	Two	M16, M18			M16x80	12-42	25	45	26	16	20	3	50	18x125	18	1150
10420.W0042	Two	M16, M18			M16x125	12-87	25	45	26	16	20	3	50	18x125	18	1220
10420.W0015	Three	M 8	M 8x8x50	7,6	M 8x40	8-16	12	22	13	8	10	3	25	9x60	10	200
10420.W0016	Three	M 8	M 8x8x80	7,6	M 8x60	8-43	12	22	13	8	10	2	25	9x60	10	220
10420.W0025	Three	M10	M10x10x65	9,6	M10x60	10-22	15	30	15	10	12	2	30	11x80	12	385
10420.W0026	Three	M10	M10x10x100	9,6	M10x80	10-58	15	30	15	10	12	2	30	11x80	12	420
10420.W0035	Three	M12, M14	M12x12x80	11,6	M12x60	10-28	20	40	21	12	15	2	40	14x100	14	740
10420.W0036	Three	M12, M14	M12x12x125	11,6	M12x100	10-71	20	40	21	12	15	3	40	14x100	14	805
10420.W0037	Three	M12, M14	M12x14x80	13,6	M12x60	10-26	20	40	21	12	15	3	40	14x100	14	755
10420.W0038	Three	M12, M14	M12x14x125	13,6	M12x100	10-71	20	40	21	12	15	3	40	14x100	14	820
10420.W0045	Three	M16, M18	M16x16x100	15,6	M16x80	12-31	25	45	26	16	20	3	50	18x125	18	1470
10420.W0046	Three	M16, M18	M16x16x160	15,6	M16x125	12-87	25	45	26	16	20	3	50	18x125	18	1630
10420.W0047	Three	M16, M18	M16x18x100	17,6	M16x80	12-32	25	45	26	16	20	3	50	18x125	18	1490
10420.W0048	Three	M16, M18	M16x18x160	17,6	M16x125	12-87	25	45	26	16	20	3	50	18x125	18	1650