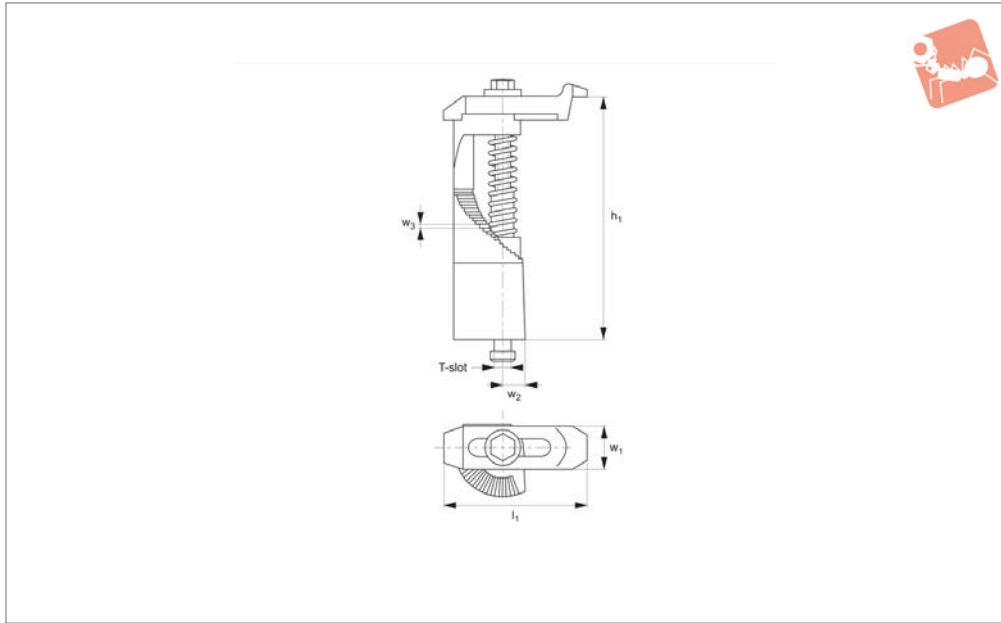




Adjustable Step Pillar Clamps with goose neck

Standard
Manual Clam-



10550

STANDARD MANUAL CLAMPING

Material

Steel forged, thread quality 8.8.

Technical Notes

Clamping unit for quick action. The compact construction ensures a small foot-

print on the machine table. Allows clamping over a wide height range with minimum fuss.

* Clamping forces stated for minimum h_1

dimension.

Tips

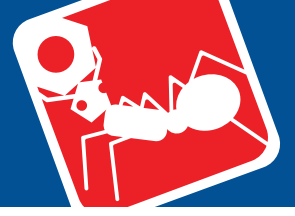
Used with:
24000 T-nuts.

Order No.	Size	T-slot size	h_1	l_1	Tightening torque Nm	w_1	w_2	w_3	Clamping force kN max.	Weight g
10550.W0120	12-0	12	0-45	140	50	34	14	0.8	11.5	700
10550.W0121	12-1	12	15-45	112	50	34	14	0.8	11.4	600
10550.W0122	12-2	12	30-75	112	50	34	15	1.3	11.4	800
10550.W0123	12-3	12	60-135	112	50	34	16	2.5	11.4	1200
10550.W0124	12-4	12	120-195	112	50	34	18	2.5	11.4	1700
10550.W0125	12-5	12	180-255	112	50	34	19	2.5	11.4	2200
10550.W0126	14-0	14	0-45	140	80	34	14	0.8	15.5	700
10550.W0127	14-1	14	15-45	112	80	34	14	0.8	15.3	600
10550.W0128	14-2	14	30-75	112	80	34	15	1.3	15.3	800
10550.W0129	14-3	14	60-135	112	80	34	16	2.5	15.3	1200
10550.W0130	14-4	14	120-195	112	80	34	18	2.5	15.3	1700
10550.W0131	14-5	14	180-255	112	100	34	19	2.5	15.3	2200
10550.W0132	16-0	16	0-70	160	100	50	20	1.3	15.3	1900
10550.W0133	16-1	16	25-70	125	100	50	20	1.3	16.3	1700
10550.W0134	16-2	16	50-120	125	100	50	21	2.5	16.3	2500
10550.W0135	16-3	16	100-220	125	100	50	21	3.8	16.3	3540
10550.W0136	16-4	16	200-320	125	100	50	24	3.8	16.3	4900
10550.W0137	18-0	18	0-70	160	130	50	20	1.3	17.8	1870
10550.W0138	18-1	18	25-70	125	130	50	20	1.3	19.0	1670
10550.W0139	18-2	18	50-120	125	130	50	21	2.5	19.0	2500
10550.W0140	18-3	18	100-220	125	130	50	21	3.8	19.0	3580
10550.W0141	18-4	18	200-320	125	130	50	24	3.8	19.0	4720

Standard
Manual Clam-



Adjustable Step Pillar Clamps with goose neck



STANDARD MANUAL CLAMPING

