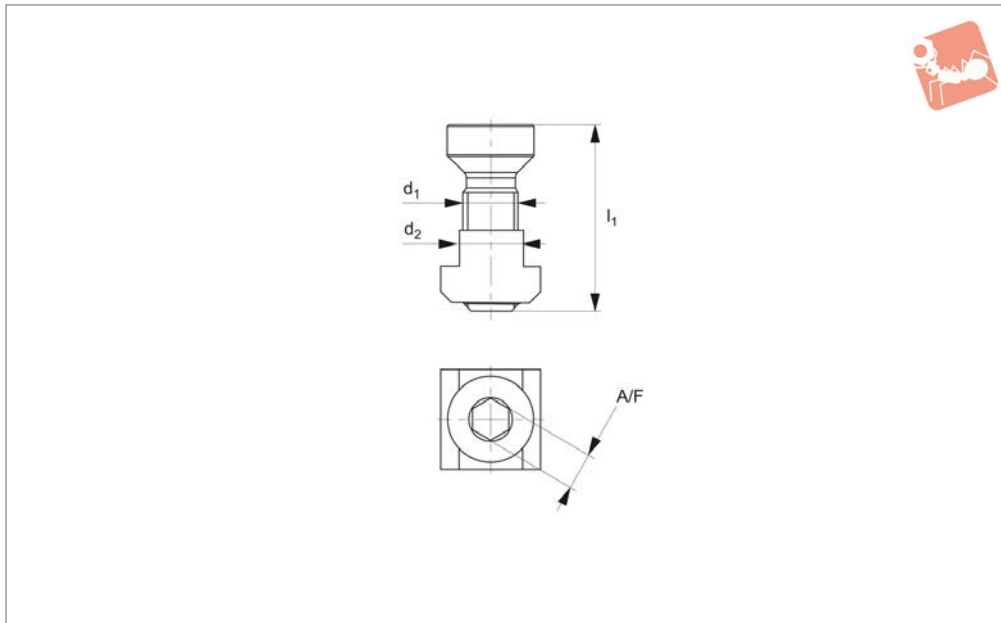




Fastening Kit

for power clamp 10588.W0222 - W0249

Standard Manual Clam-



10588.5

STANDARD MANUAL CLAMPING

Material

Steel, heat-treated.

Technical Notes

Fastening screw strength class 12.9 and T-slot nut DIN 508.

Order No.	Size	d ₁	d ₂	l ₁	A/F	Weight g
10588.W2212	22	M10	12	29.0	6	61
10588.W2214	22	M12	14	31.5	6	61
10588.W2215	22	M12	14	35.5	6	40
10588.W3014	30/32	M12	14	34.0	8	70
10588.W3016	30/32	M12	16	38.0	8	98
10588.W3018	30/32	M12	18	38.0	8	125
10588.W3019	30	M12	14	41.0	8	78
10588.W3118	30	M16	18	41.0	8	143
10588.W3120	30	M16	20	45.0	8	208
10588.W3122	30	M16	22	49.0	8	270
10588.W3124	30	M16	24	49.0	8	348
10588.W4018	40/43	M16	18	43.0	10	145
10588.W4020	40/43	M16	20	47.0	10	195
10588.W4022	40/43	M16	22	51.0	10	264
10588.W4024	40/43	M16	24	51.0	10	350
10588.W4319	43	M16	18	52.0	10	160
10558.W4922	49	M20	22	52.0	12	300
10558.W4923	49	M20	22	66.0	12	330
10558.W4924	49	M20	24	55.0	12	390
10558.W4928	49	M20	28	62.0	12	505