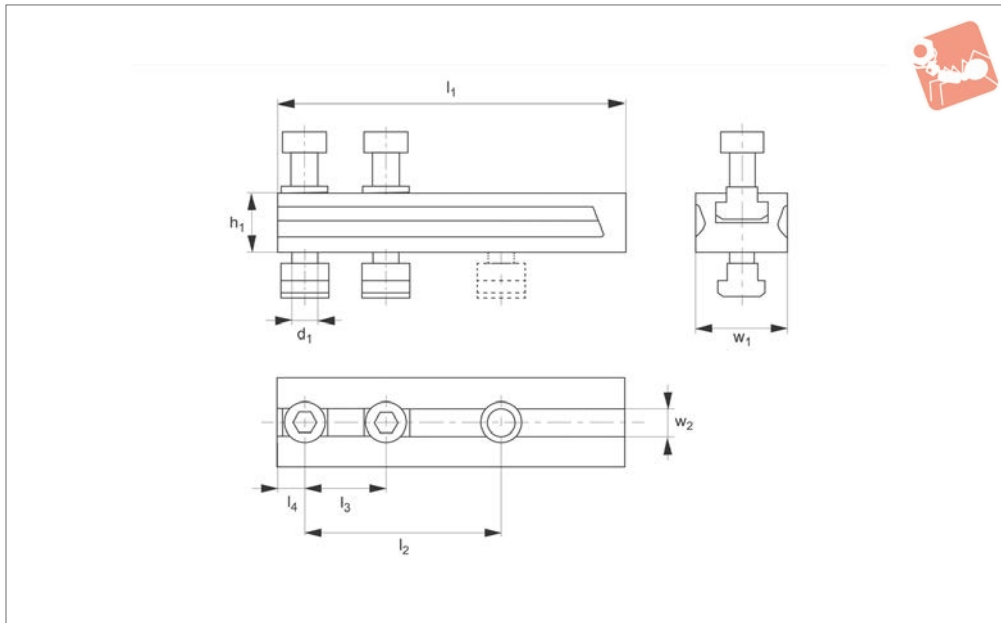




# Height Adapters

for compact clamp 10592.W0012 and .W0016



**10592.2**

STANDARD MANUAL CLAMPING

**Material**

Steel, heat-treated, black coated.

allows a clamping height increase.

replaced by screws extended by the dimension  $h_1$ .

**Technical Notes**

The height adapter for compact clamps

**Tips**

When using multiple height adapters, the screws ISO 10642 or DIN 7984 have to be

Order No.	$d_1$	$h_1$	$l_1$	$l_2$ +1	$l_3$	$l_4$	$w_1$	$w_2$ tol. H12	Weight g
10592.W0112	M12	20	134	70	50	13	45	14	874
10592.W0116	M16	35	213	120	50	17	55	18	2534

