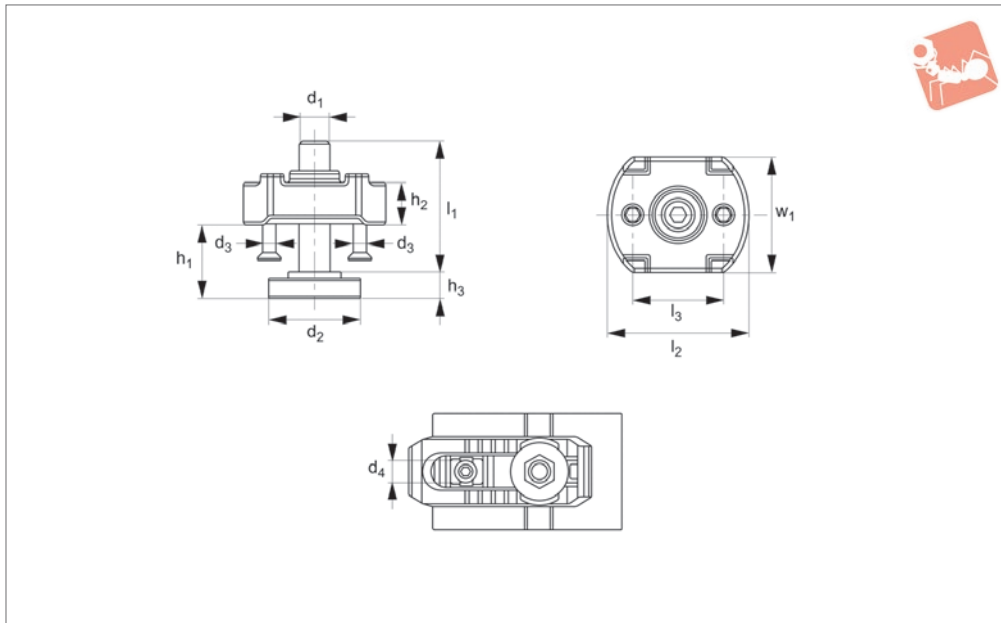




Support Extension for crocodile clamp 10603

Standard
Manual Clam-



10604

STANDARD MANUAL CLAMPING

Material

Body and support screw: steel, zinc plated and hardened. Strength class 8.8.

counterhold of the crocodile clamp to increase the clamping height.

Technical Notes

The support extension is screwed to the

Tips

Allows continuous adjustment of clamping heights.

Order No.	$d_1 \times l_1$	d_2	d_3	d_4	h_1 min. max.	h_2	h_3	l_2	l_3	w_1	Weight g
10604.W0010	M10x39	30	M 5	13	8-30	10	8	44	30	30	197
10604.W0016	M12x49	36	M 5	17	10-37	16	10	54	35	42	433
10604.W0018	M12x94	36	M 5	17	10-80	16	10	54	35	42	473
10604.W0020	M16x55	42	M 5	21	13-41	20	13	60	40	50	608
10604.W0022	M16x90	42	M 5	21	13-73	20	13	60	40	50	640
10604.W0025	M20x69	50	M 6	25	16-52	25	16	70	50	50	1136
10604.W0027	M20x109	50	M 6	25	16-91	25	16	70	50	50	1396

