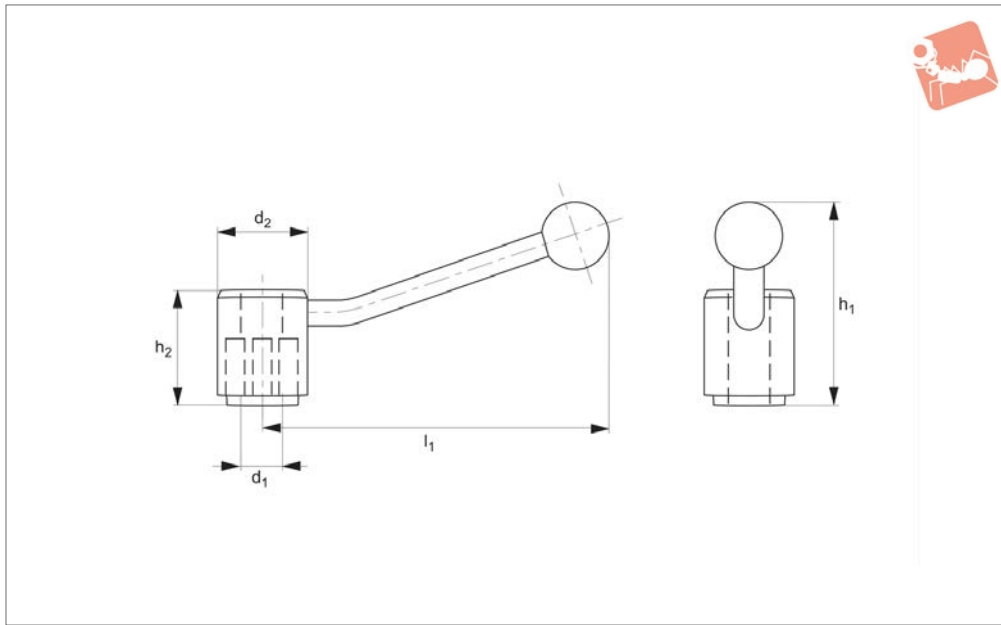




Ratchet Clamping Lever

Standard Manual Clam-



10680

STANDARD MANUAL CLAMPING

Material

Steel, burnished.

clamps, but particularly useful for part nos. 10400, 10500 and 10620.

without the need for spanners.

Technical Notes

For use as quick acting lever for most

Tips

The ratchet action allows quick clamping

Order No.	d ₁	d ₂	h ₁	h ₂	l ₁	Weight g
10680.W0012	M12	33	83	48	135	360
10680.W0016	M16	40	105	64	158	620