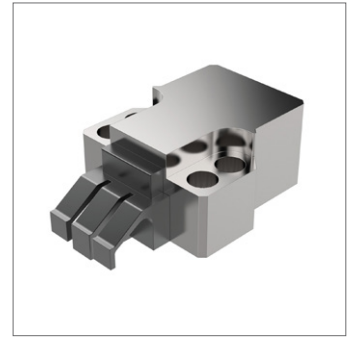
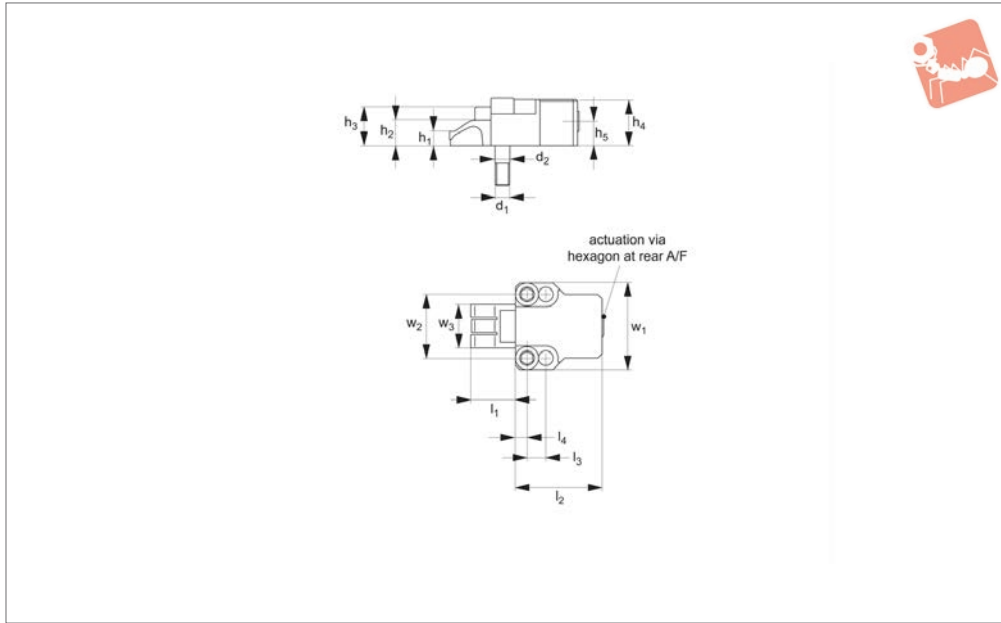




2.2 Ton Finger Clamp - Smooth Face movable jaw

Heavy-Duty Side Clamping



11040

HEAVY-DUTY SIDE CLAMPING

Material

Hardened steel, with spring steel clamping element.

Technical Notes

A low height, very powerful compact clamp. These clamps have a unique sideways and

downwards clamping action.

Tips

Provided with specially ground location bolts $\varnothing 10,2 - M10$, allowing for precise positioning. For mounting there are 2 tapped holes at $44,00 \pm 0,005\text{mm}$ centres, $M10$ with depth of 28mm, counterbore

10,2 (H6) with depth of 14mm.

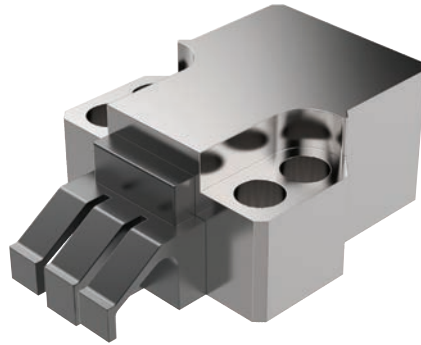
Important Notes

When used in conjunction with fixed stop, part nos. 11041 or 11043, these clamps achieve a positive downforce on both faces of the workpiece - a unique feature.

Order No.	Clamping height h_1		Clamping stroke l_1		d_1	d_2 tol. h6	h_2	h_3	h_4	h_5	l_2
11040.W0025	10		18-34		M10	10.2	18	27	33	17	60
Order No.	l_3	l_4	l_5	w_1	w_2	w_3	A/F	Clamping torque Nm		Clamping force kN	
11040.W0025	13	8	18	60	44	30	8	50		22	

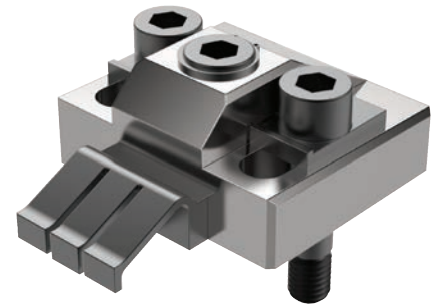


Clamping Torque



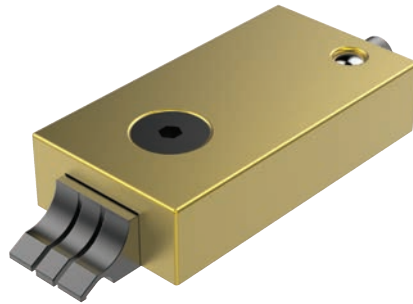
11040/CL2040

Clamping Torque N/m	Clamping Force N
50	23000
40	18000
30	12500
25	11500
20	9500



11070/CL2070

Clamping Torque N/m	Clamping Force N
60	16500
50	15000
40	12000
30	10000
25	8000
20	7000



11081/CL2081

Clamping Torque N/m	Clamping Force N
5	6600
4.5	5500
4	4900

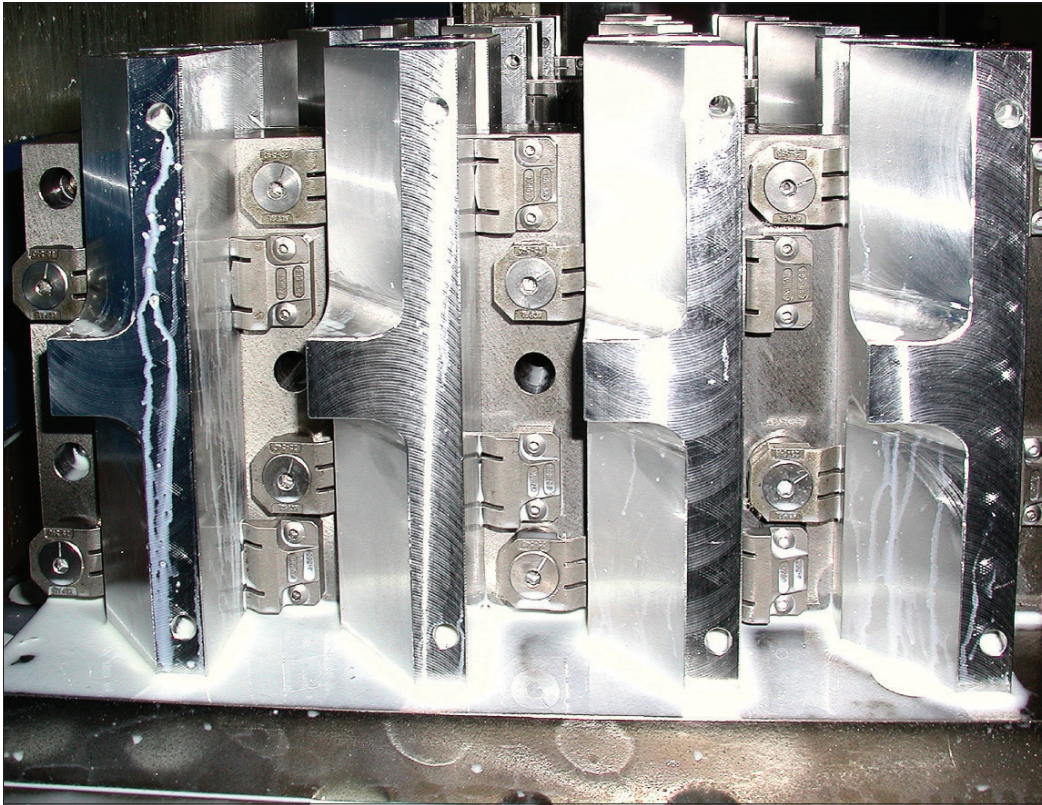


10940/CL0030

Clamping Torque N/m	Clamping Force N
8.5	4000
8	3800
7	3400
6	3000
5	2500
4	2000



Application



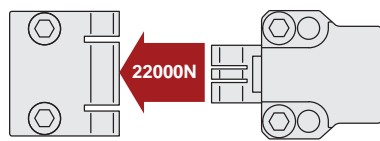
HEAVY-DUTY SIDE CLAMPING

Unique Horizontal Clamping Set-Ups

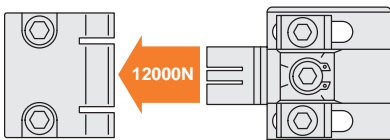
Part No. 10900, 10920, 10940
T-slot table and special machining set-ups



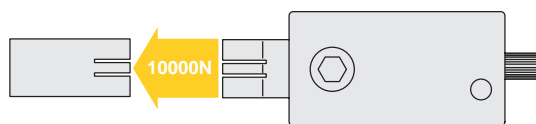
Part No. 11040, 11041, 11042, 11043
Supports and special machining set-ups



Part No. 11070, 11071
Supports and special machining set-ups



Part No. 11080, 11081, 11083
T-slot table, supports and special machining set-ups



ov-W10920-A-T-W10940-b-rmh - Updated - 20-10-2022



Unique Action - "three finger" Clamping

Pull down AND clamp with the highest of clamping forces – from 0,4 tons to 2,2 tons!

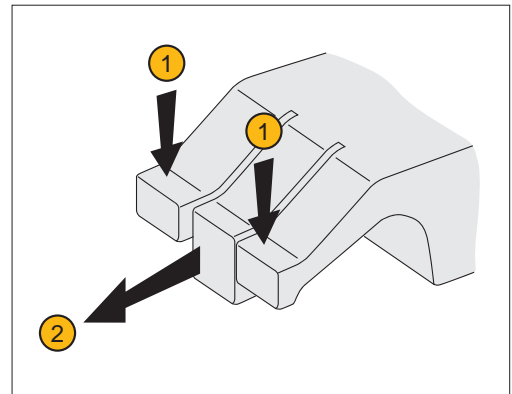
Used in our clamping series:

- 10900, 10940, 10880,
- 10920, 11040, 11041,
- 11042, 11043, 11070,
- 11071, 11080, 11081,
- 11082, 11083

Our horizontal clamps have a unique "three finger" arrangement ensuring components are both pulled down and clamped in the same motion. The face of the clamp is made of three parts or "fingers":

- Two outer flexible fingers (1); for pulling down the component to the work table.
- One solid central finger (2), to provide direct clamping action.

Available in two styles – smooth and serrated face. They can also cater for workpieces with an adverse angle on the clamping face – for example flame cut steel blanks.

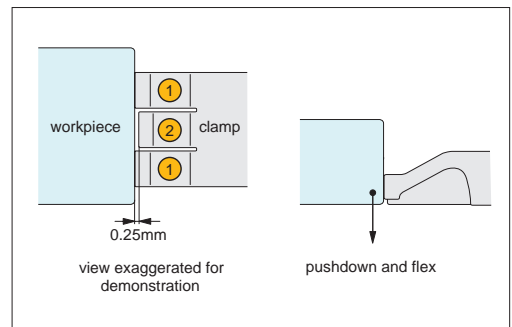


Clamping Action

Contact

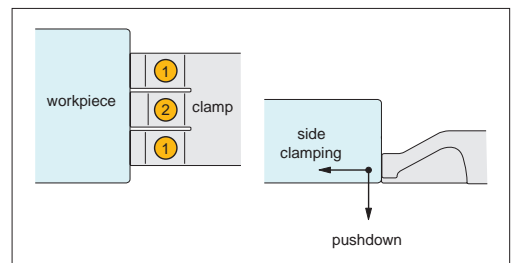
The clamps outer flexible fingers (1) are approx. 0,25mm longer than the solid central finger/clamping stop (2), this slight difference in length means it is the flexible fingers which first come into contact with the workpiece.

As initial contact is made with the work-piece the flexible fingers (1) apply downward pressure forcing the workpiece down against the work table, the flexible fingers are compressed until they are the same length as the solid central finger/clamping stop (2).



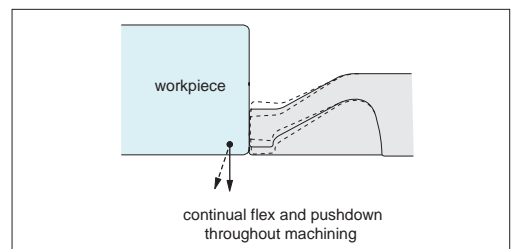
Clamping

As the solid central finger/clamping stop (2) comes into contact with the work-piece it applies high side clamping pressure to achieve clamping forces up to 2,2 tons (dependent upon clamping model selected).



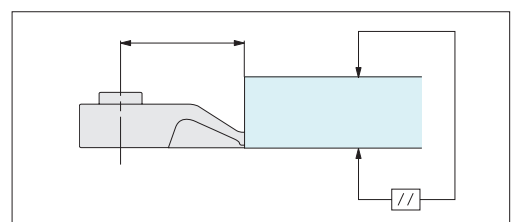
Machining

During machining the uniquely designed flexible fingers (1) continue to flex and twist applying downward pressure to keep the workpiece flat to the work table throughout.



Precision Positioning

The unique clamping action achieves precision positioning of workpieces – ensuring the workpiece remains parallel to the reference surface.





Horizontal Clamping

up to 2.2 tons

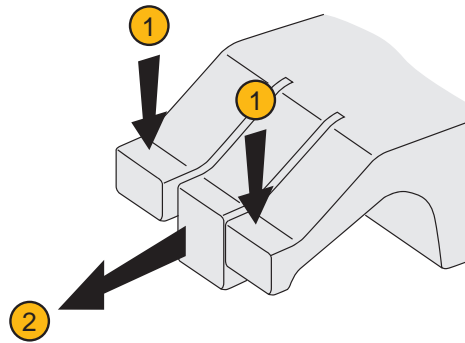
Clamping & Height Setting

Unique Action - "three finger" Clamping

Our horizontal clamps have a unique "three finger" arrangement ensuring components are both pulled down and clamped in the same motion. The face of the clamp is made of three parts or "fingers":

- Two outer flexible fingers ①; for pulling down the component to the work table.
- One solid central finger ②, to provide direct clamping action.

Available in two styles – smooth and serrated face. They can also cater for workpieces with an adverse angle on the clamping face – for example flame cut steel blanks.



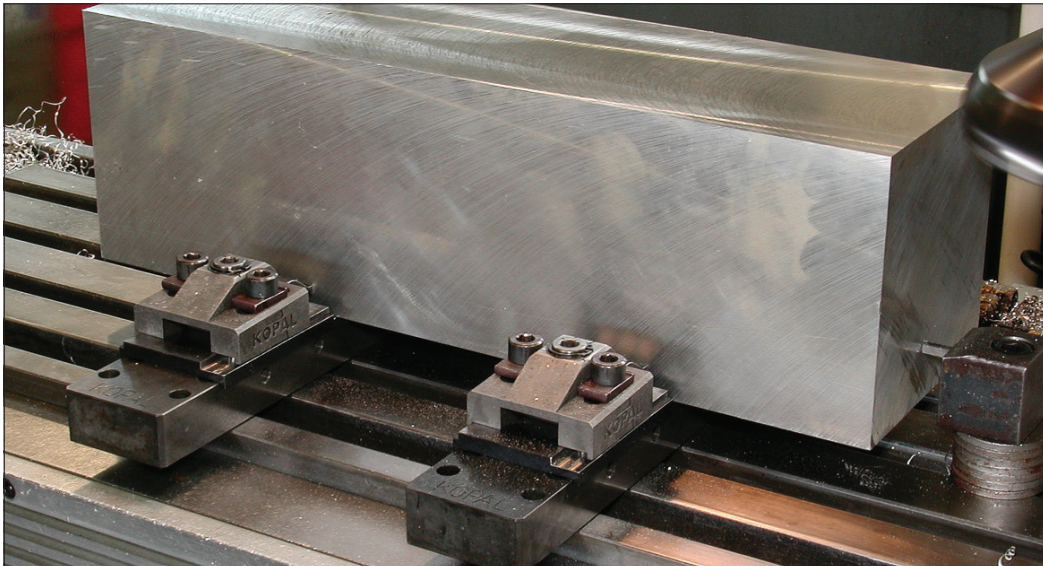
11040/41/42/43

22000N

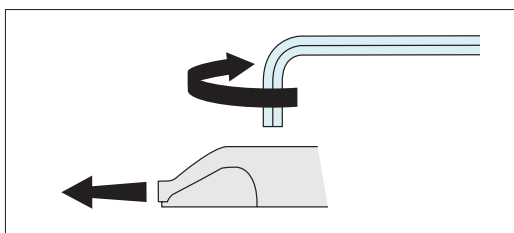
11070/71

12000N

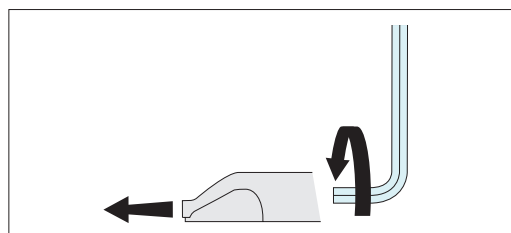
HEAVY-DUTY SIDE CLAMPING



Options

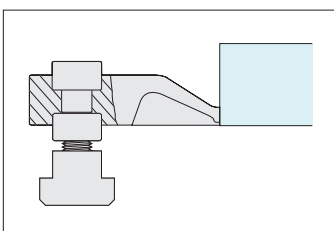


Quick 1/4 turn eccentric clamping – on models offering 4000 and 12000 Newtons clamping force.

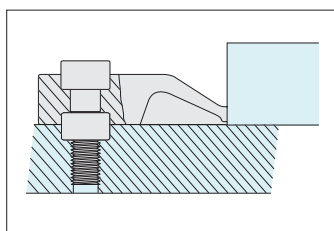


Rear screw clamping – on models offering 6500, 10000 and 22000 Newtons clamping force.

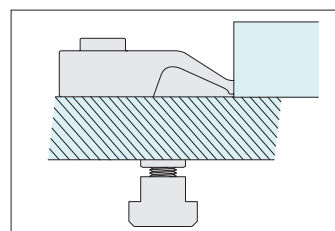
Actuation



T-Slotted tables



Dedicated fixturing



Modular fixturing

Mounting