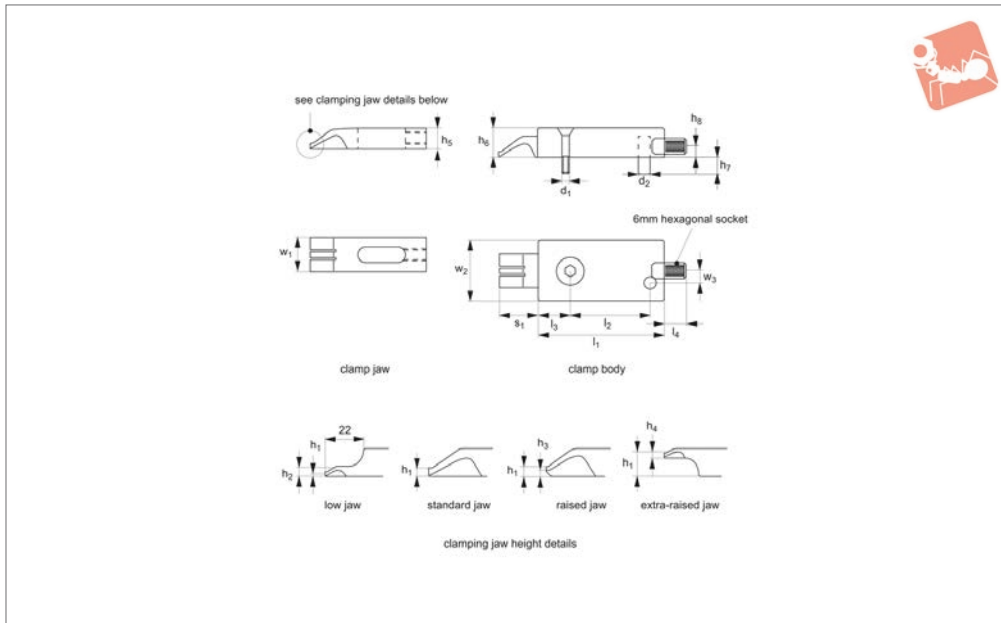




1.0 Ton Finger Clamps for T-slots

Heavy-Duty Side Clamping



11081

HEAVY-DUTY SIDE CLAMPING

Material

Jaw: spring steel.
Body: aluminium.

Technical Notes

These clamps have a unique sideways and

downwards action.

Please see part no. 11082 for fixed stops.

Tips

Provided location bolts - M10, M12.
Clamp and body supplied separately. To

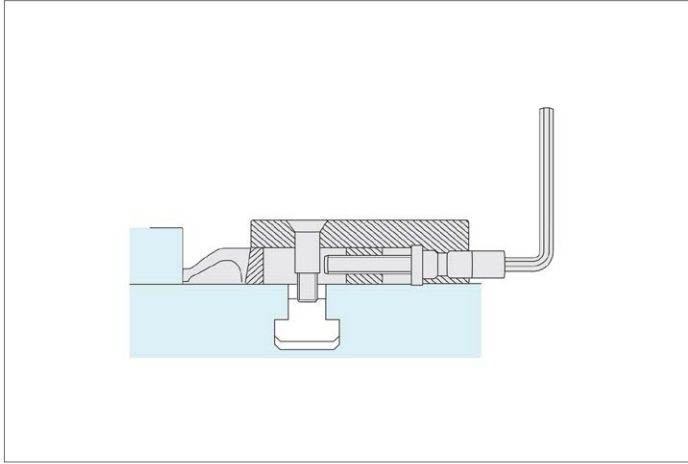
order please select clamp body (part nos. 11081.W0065 or .W0068) then the clamping jaw most suitable for your application (11081.W0610 to .W0625).

Order No.	Type	Clamp stroke	s ₁	w ₁	d ₁	d ₂	h ₁	h ₂	h ₃	l ₁	l ₂
11081.W0065	Clamp Body M10	20	18 to 38	-	M10	10	-	-	-	104	69.5
11081.W0068	Clamp Body M12	20	18 to 38	-	M12	10	-	-	-	104	69.5
11081.W0610	Standard Jaw	-	-	28	-	-	2.5	-	-	-	-
11081.W0615	Low Jaw	-	-	28	-	-	4.7	6.0	-	-	-
11081.W0620	Raised Jaw	-	-	28	-	-	8.0	-	4.0	-	-
11081.W0625	Extra-raised Jaw	-	-	28	-	-	13.5	-	-	-	-

Order No.	h ₄	l ₃	h ₅	l ₄	h ₆	h ₇	h ₈	w ₂	w ₃	Clamping torque Nm	Clamping force kN
11081.W0065	-	23	-	1.8	24	9	12	55	10	12	10
11081.W0068	-	23	-	1.8	24	9	12	55	10	12	10
11081.W0610	-	-	17	-	-	-	-	-	-	-	-
11081.W0615	-	-	17	-	-	-	-	-	-	-	-
11081.W0620	-	-	17	-	-	-	-	-	-	-	-
11081.W0625	2.5	-	17	-	-	-	-	-	-	-	-

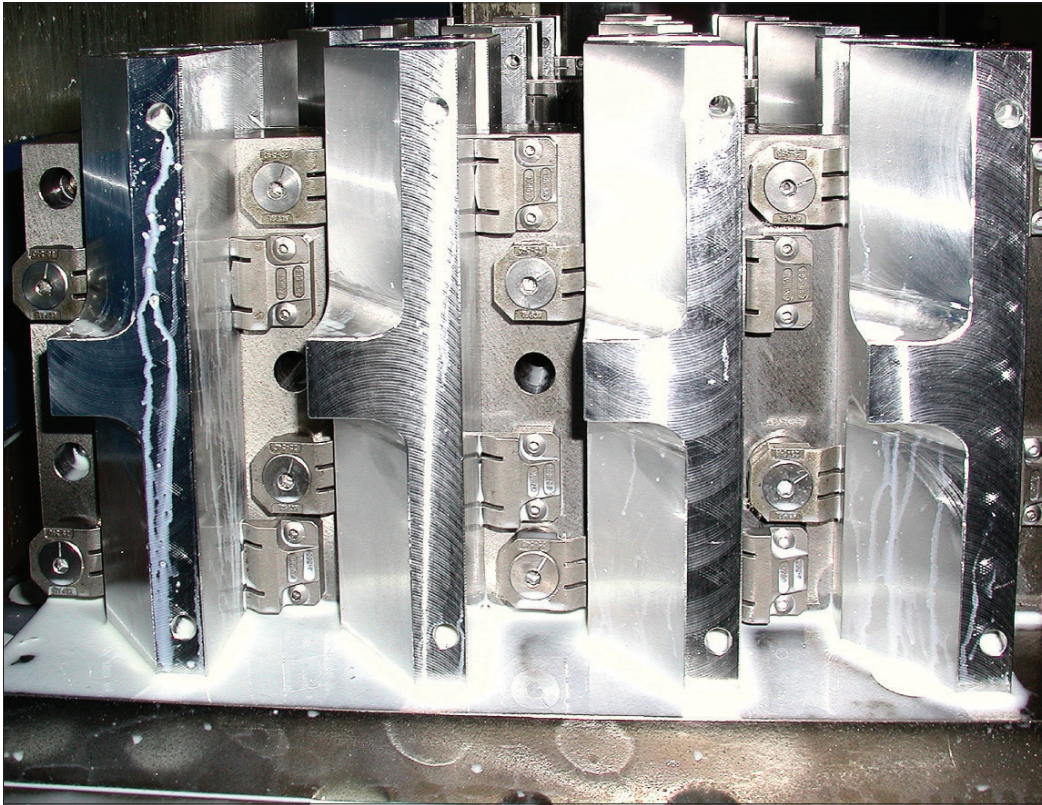


HEAVY-DUTY SIDE CLAMPING





Application



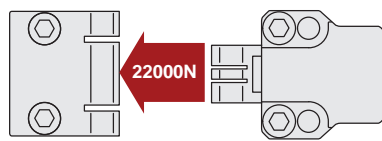
HEAVY-DUTY SIDE CLAMPING

Unique Horizontal Clamping Set-Ups

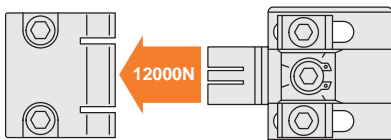
Part No. 10900, 10920, 10940
T-slot table and special machining set-ups



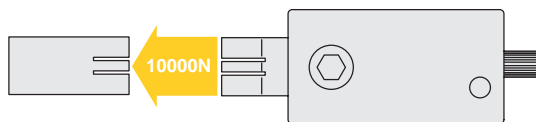
Part No. 11040, 11041, 11042, 11043
Supports and special machining set-ups



Part No. 11070, 11071
Supports and special machining set-ups



Part No. 11080, 11081, 11083
T-slot table, supports and special machining set-ups



ov-W10920-A-T-W10940-b-rmh - Updated - 20-10-2022



Unique Action - "three finger" Clamping

Pull down AND clamp with the highest of clamping forces – from 0,4 tons to 2,2 tons!

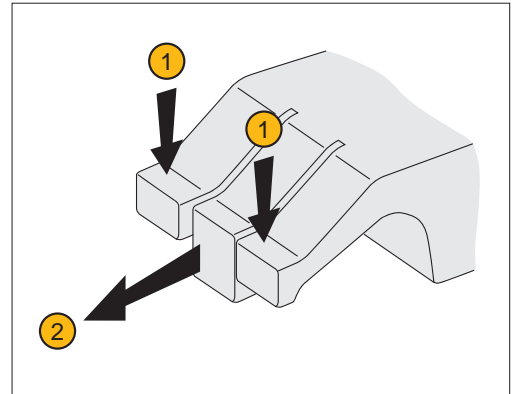
Used in our clamping series:

10900, 10940, 10880,
10920, 11040, 11041,
11042, 11043, 11070,
11071, 11080, 11081,
11082, 11083

Our horizontal clamps have a unique "three finger" arrangement ensuring components are both pulled down and clamped in the same motion. The face of the clamp is made of three parts or "fingers":

- Two outer flexible fingers (1); for pulling down the component to the work table.
- One solid central finger (2), to provide direct clamping action.

Available in two styles – smooth and serrated face. They can also cater for workpieces with an adverse angle on the clamping face – for example flame cut steel blanks.

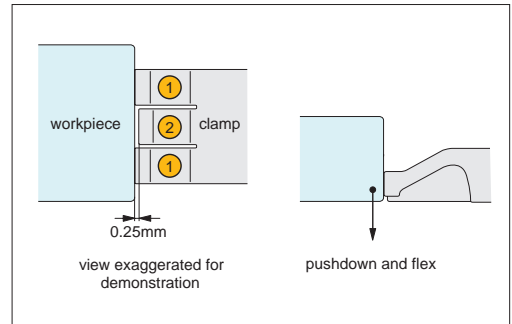


Clamping Action

Contact

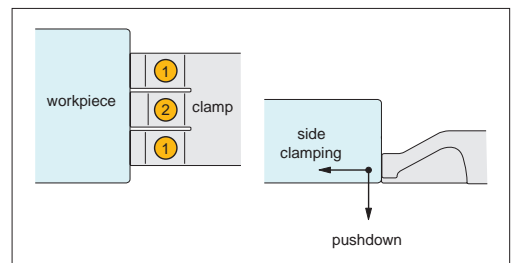
The clamps outer flexible fingers (1) are approx. 0,25mm longer than the solid central finger/clamping stop (2), this slight difference in length means it is the flexible fingers which first come into contact with the workpiece.

As initial contact is made with the work-piece the flexible fingers (1) apply downward pressure forcing the workpiece down against the work table, the flexible fingers are compressed until they are the same length as the solid central finger/clamping stop (2).



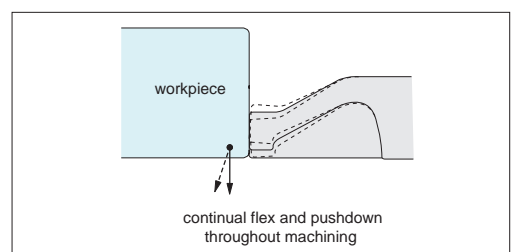
Clamping

As the solid central finger/clamping stop (2) comes into contact with the work-piece it applies high side clamping pressure to achieve clamping forces up to 2,2 tons (dependent upon clamping model selected).



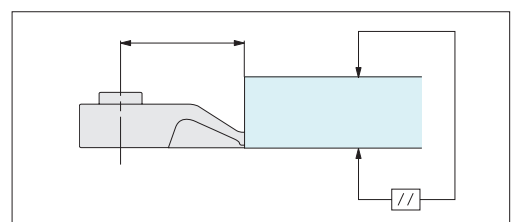
Machining

During machining the uniquely designed flexible fingers (1) continue to flex and twist applying downward pressure to keep the workpiece flat to the work table throughout.



Precision Positioning

The unique clamping action achieves precision positioning of workpieces – ensuring the workpiece remains parallel to the reference surface.





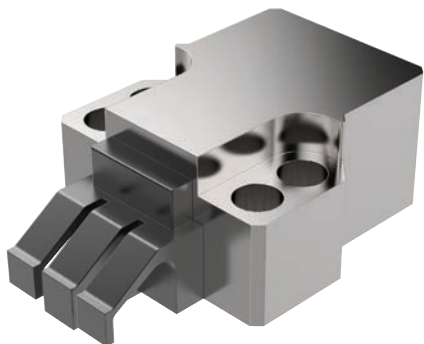
Horizontal Clamping

up to 2.2 tons



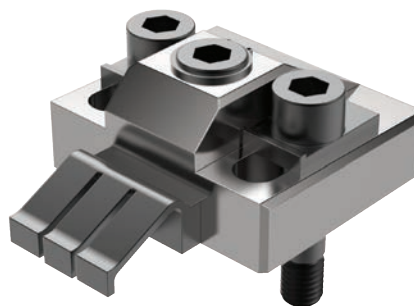
Clamping & Height Setting

Clamping Torque



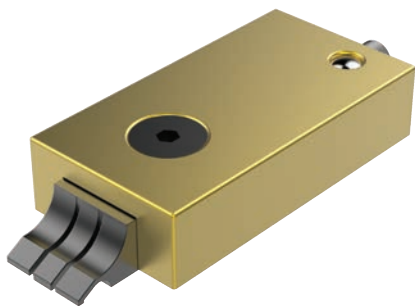
11040/CL2040

Clamping Torque N/m	Clamping Force N
50	23000
40	18000
30	12500
25	11500
20	9500



11070/CL2070

Clamping Torque N/m	Clamping Force N
60	16500
50	15000
40	12000
30	10000
25	8000
20	7000



11081/CL2081

Clamping Torque N/m	Clamping Force N
5	6600
4.5	5500
4	4900



10940/CL0030

Clamping Torque N/m	Clamping Force N
8.5	4000
8	3800
7	3400
6	3000
5	2500
4	2000

HEAVY-DUTY SIDE CLAMPING

ov-W11040-A-T-W10940-A-T-horizontal-clamping-rnh - Updated - 13-10-2022