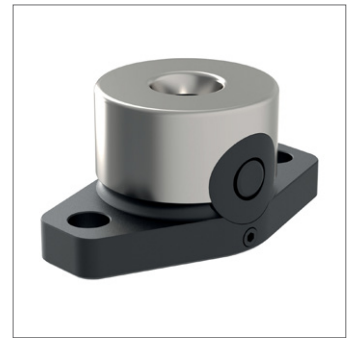
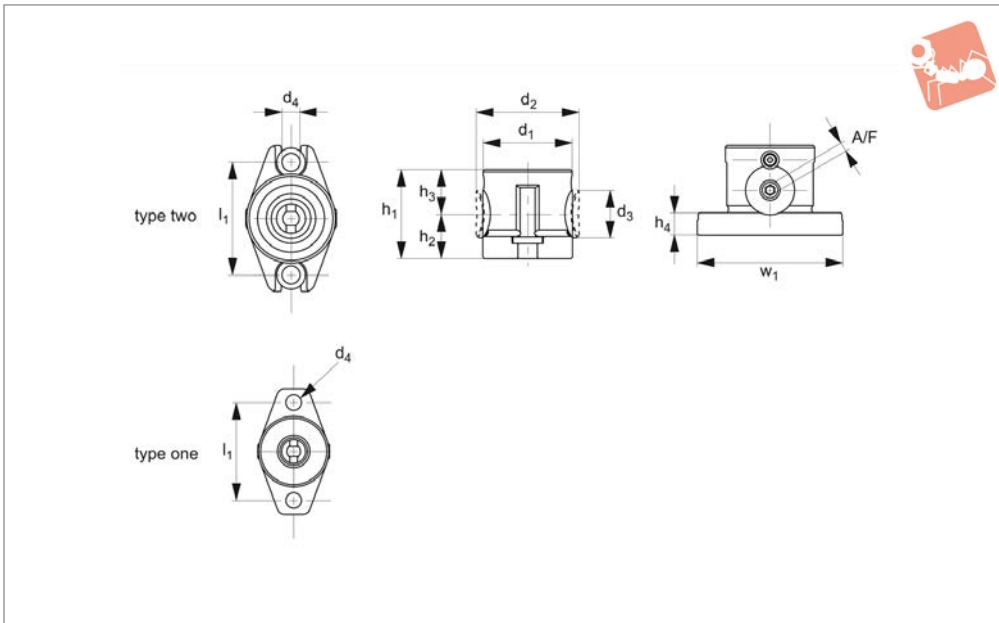




Clamping Module - Single flanged

Bore Clamping



12043

BORE CLAMPING

Material

Steel (AISI 4140), induction hardened, black oxide finish.

Technical Notes

For suitable clamping screws see part no.s

12046 through 12050.

For permissible cutting forces and corresponding workpiece weights when using the clamping module system, see technical pages.

| Order No. | h_1 ± 0.01 | h_2 | h_3 | l_1 | w_1 | Type | Size | d_1 | d_2 | d_3 | d_4 | h_4 | A/F | Clamping force kN max. | Screw torque Nm max. | Weight g |
|--------------------|---------------------|-------|-------|-------|-------|------|------|-------|-------|-------|-------|-------|-----|------------------------------|----------------------------|-------------|
| 12043.W0008 | 25 | 12.5 | 12.5 | 42 | 54 | One | 8 | 30 | 34.5 | 15 | 6.6 | 7 | 3 | 5 | 4 | 100 |
| 12043.W0011 | 40 | 20.0 | 20.0 | 50 | 65 | Two | 11 | 40 | 46.0 | 22 | 9.0 | 10 | 4 | 8 | 8 | 300 |
| 12043.W0016 | 63 | 33.0 | 30.0 | 75 | 95 | Two | 16 | 60 | 69.0 | 32 | 13.0 | 15 | 6 | 15 | 50 | 1400 |
| 12043.W0021 | 80 | 40.0 | 40.0 | 100 | 130 | Two | 21 | 80 | 91.0 | 44 | 17.0 | 20 | 8 | 25 | 50 | 3300 |