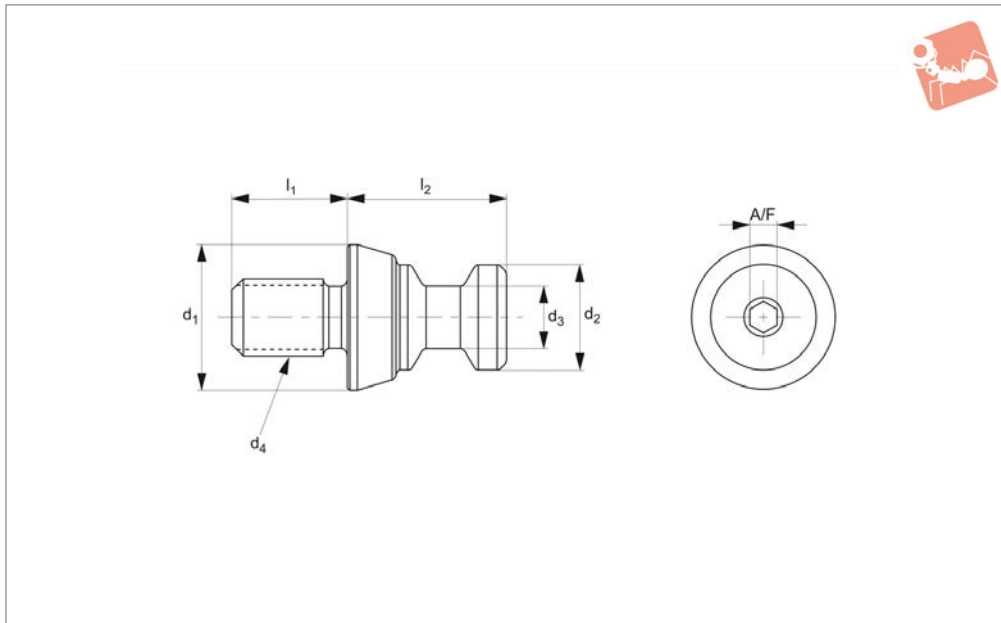




Tapered Clamping Screws floating

Bore Clamping



12047.1

BORE CLAMPING

Material

Bushing: steel (C45E), black oxide finish, precision ground.

Technical Notes

Can be used to couple double clamping modules (see part no.12044) together for

greater height.

Locating repeatability $\pm 0,2\text{mm}$.

Order No.	l_1	Suitable clamping module size	Type	Size	d_1	d_2	d_3	d_4	l_2	A/F	Weight g
12047.W0061	8	8	Floating	8	11	8	4,8	M 6x1,00	10,0	3	5
12047.W0062	9	11	Floating	11	15	11	6,5	M 6x1,00	16,5	3	13
12047.W0081	12	11	Floating	11	15	11	6,5	M 8x1,25	16,5	3	16
12047.W0082	12	16	Floating	16	24	16	9,5	M 8x1,25	25,0	5	46
12047.W0121	18	16	Floating	16	24	16	9,5	M12x1,75	25,0	5	57
12047.W0122	18	21	Floating	21	31	21	13,0	M12x1,75	33,0	6	108
12047.W0161	22	21	Floating	21	31	21	13,0	M16x2,01	33,0	6	125