

12085.3

PULL BACK INSERTS

Material

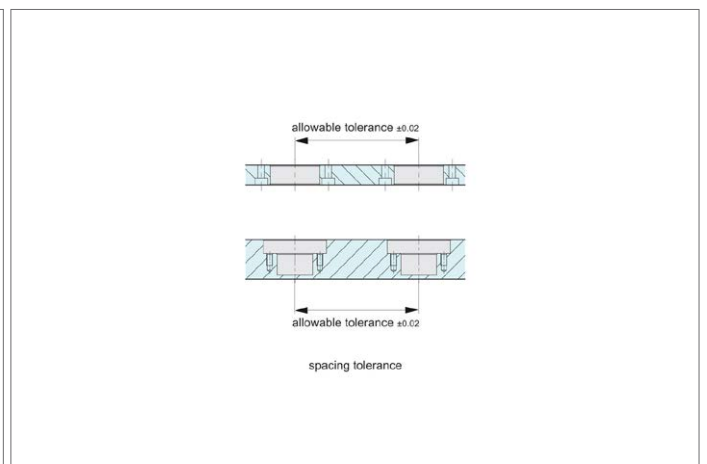
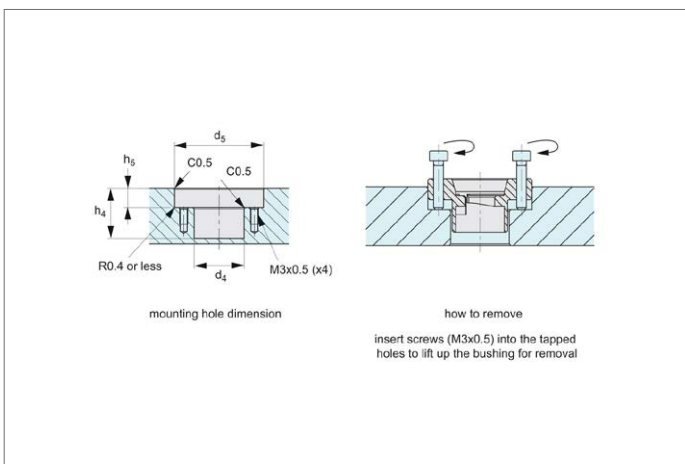
Stainless steel (AISI 304, 1.4301).

no. 12108. Use plates to avoid any deformation to workpiece during clamping.

Technical Notes

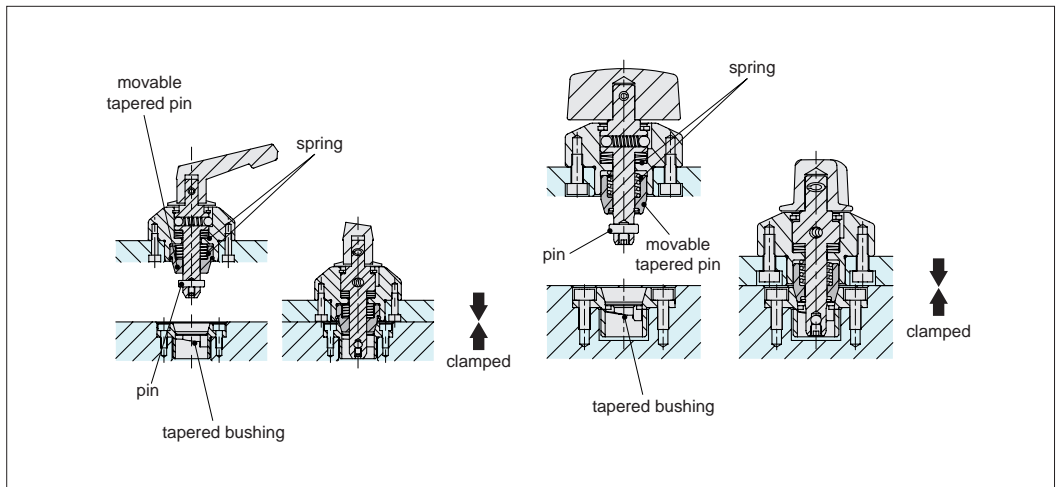
Clamping plates for spiral cam clamp, part

Order No.	Size	d_1	d_2	d_3	d_4	d_5	d_6	d_7	h_1	h_2	h_3	h_4	h_5	Weight g
12085.W0506	6	28	12.5	21.5	13.5	28	3.4	M 3x0,5	5.5	8	2	15	6	20
12085.W0508	8	32	17	25.5	18.0	32	3.4	M 3x0,5	6.5	10	3	18	7	32



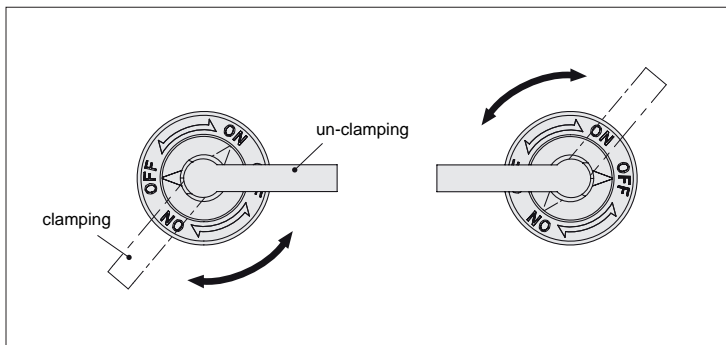


Feature



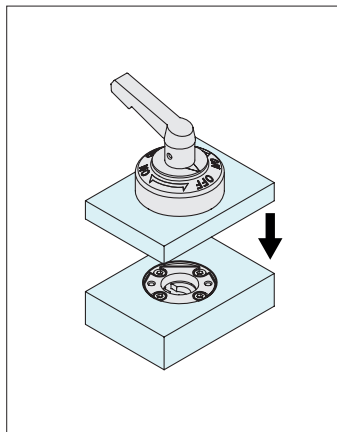
- The plates are located by fitting the tapered pin and the tapered bushing.
- The pin contacts the cam surface inside the bushing, and it compresses the inner spring, then the plates are clamped.

Note: 12085.W0108 does not have locating function.



Two clamping and unclamping positions of handle can be chosen for 12085.W0008/W0108

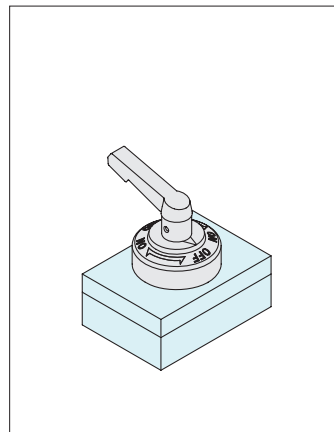
How to Operate



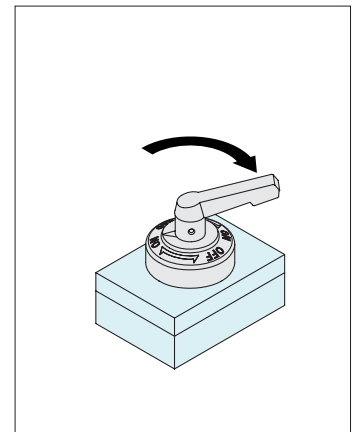
1. Ensure the handle is positioned at 'OFF' mark.

*Follow back these steps for unclamping

*Same operation for knob style.



2. Insert the clammer to the bushing.



3. Turn the handle to 'ON' mark for clamping.



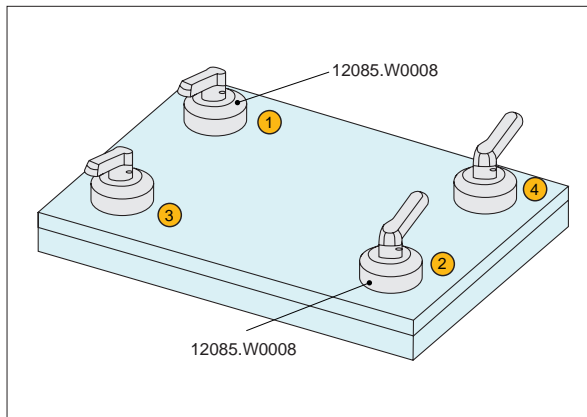
One Touch Flex Locator Clampers

how to use



12085

Clamping & Height Setting



Ensure the handle is positioned at 'OFF' mark and lift down the fixture plate.

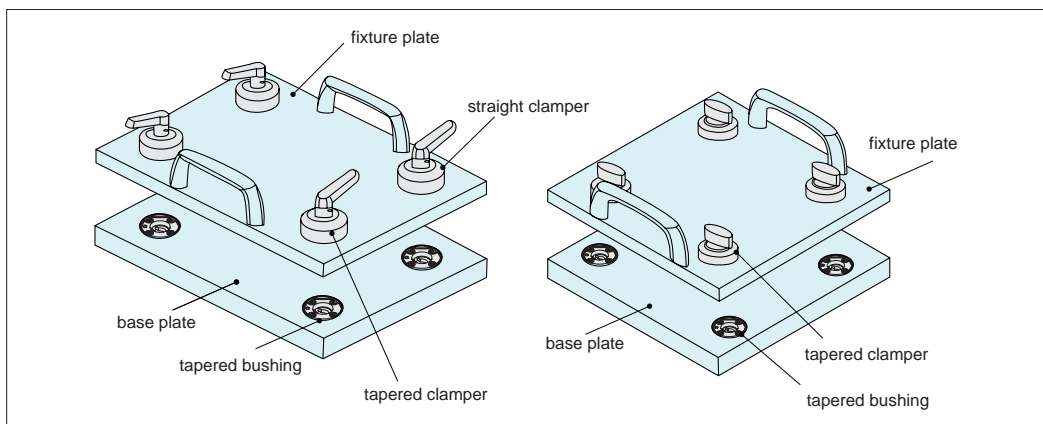
Turn the handle and clamp in order of

① - ② - ③ - ④

*For unclamping, ensure the handle is positioned at 'OFF' mark and disassemble the fixture plate.

If the handles are not tightened in the correct order, the locating repeatability may exceed 10 μ m.

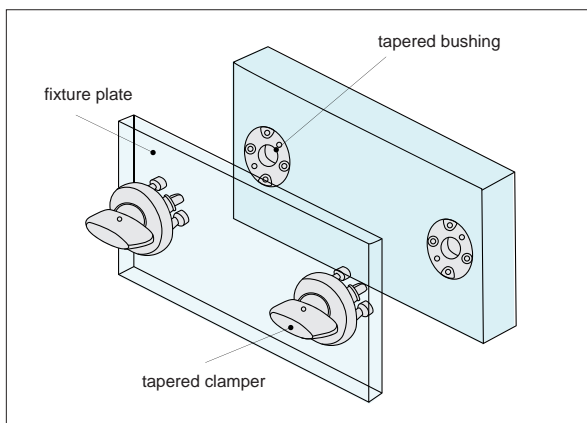
Tightening Order



How to Use

Horizontal Assembly of Fixture Plate

Note: Ensure not to lift the fixture plate up and down with gripping the handle of the clampers.



Clamp and Bush Combination		Max. Loading Capacity (N)
12085.W0206	Ø6	120
12085.W0008	Ø8	400
12085.W0108	Ø8	400
12085.W0208	Ø8	400

Vertical Assembly of Fixture Plate

Note: Locating repeatability is 10 μ m.

Note: The maximum load is the entire sum of the load of fixture plates, fixtures and workpieces.

The maximum loading capacity shown is the value when two sets of tapered clamper and tapered bushing are used.

PULL BACK INSERTS

ov-W12085.1-A-T-W12085.3-A-T-how-to-use-one-touch-flex-locators-b-rmh - Updated -24-10-2022