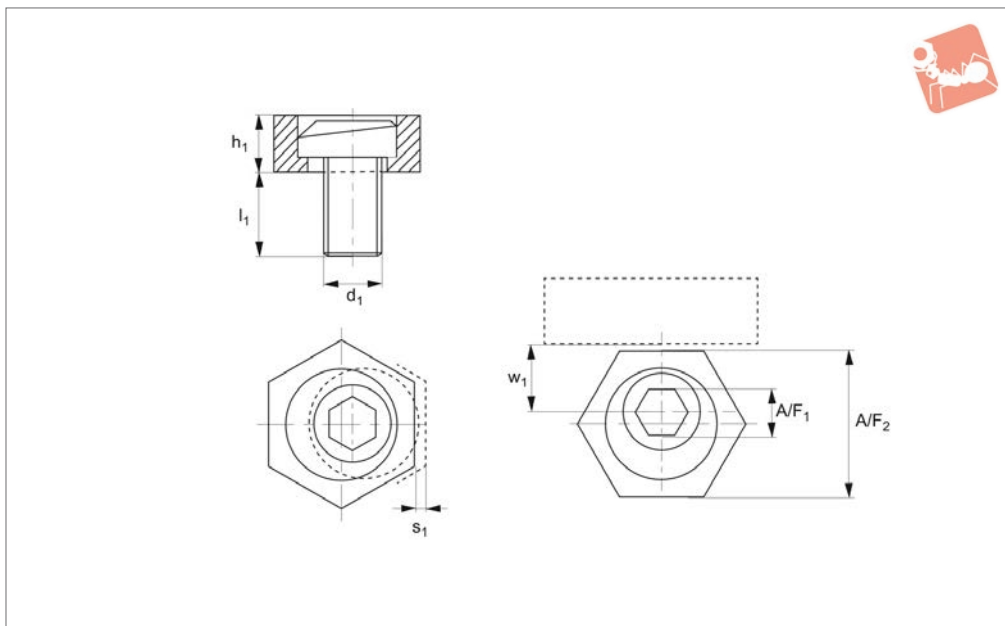




Eccentric Fixture Clamps

low profile

Low Profile Side Clamping



12112

LOW PROFILE SIDE CLAMPING

Material

Hexagonal clamp: brass.

Screw: steel, hardened, strength class 10,9.

Technical Notes

Cam action provides fast, strong clamping.
Small size allows more parts per load.

Workpiece stop is on the right hand side of the clamp.

Tips

Clockwise rotation is recommended. The workpiece stop should be to the right of the clamp. Replacement cam screws are suitable for all clamp parts 12112, 12120,

12020 and 12150. For stainless steel version, see 12113.

Important Notes

w_1 - is the location to drill and tap from the edge of workpiece.

Order No.	Type	d_1	h_1	l_1	Clamping force kN	Stroke s_1	w_1	A/F_1	A/F_2	Torque to Nm max.	Qty/pack	Weight g
12112.W0004	Brass Clamp	M 4x0,7	2.80	9.6	0.9	0.76	3.8	3	7.93	2.5	10	3.0
12112.W0006	Brass Clamp	M 6x1	4.75	11.2	3.5	1.01	7.8	4	15.86	10.0	10	11.0
12112.W0008	Brass Clamp	M 8x1,25	4.55	15.0	3.5	1.01	10.2	5	20.60	18.0	12	18.0
12112.W0010	Brass Clamp	M10x1,5	6.35	19.0	8.8	1.27	10.2	7	20.60	26.0	10	27.0
12112.W0012	Brass Clamp	M12x1,75	9.52	22.8	17.7	2.03	12.7	8	25.38	75.0	8	53.0
12112.W0016	Brass Clamp	M16x2	12.70	28.5	26.6	2.54	15.0	12	30.13	120.0	4	103.0
12112.W0504	Replacement Screw	M 4x0,7	-	-	-	-	-	-	-	-	-	-
12112.W0506	Replacement Screw	M 6x1	-	-	-	-	-	-	-	-	-	-
12112.W0508	Replacement Screw	M 8x1,25	-	-	-	-	-	-	-	-	-	-
12112.W0510	Replacement Screw	M10x1,5	-	-	-	-	-	-	-	-	-	-
12112.W0512	Replacement Screw	M12x1.75	-	-	-	-	-	-	-	-	-	-
12112.W0516	Replacement Screw	M16x2	-	-	-	-	-	-	-	-	-	-

Low Profile Side Clamping

Eccentric Fixture Clamps low profile



LOW PROFILE SIDE CLAMPING

