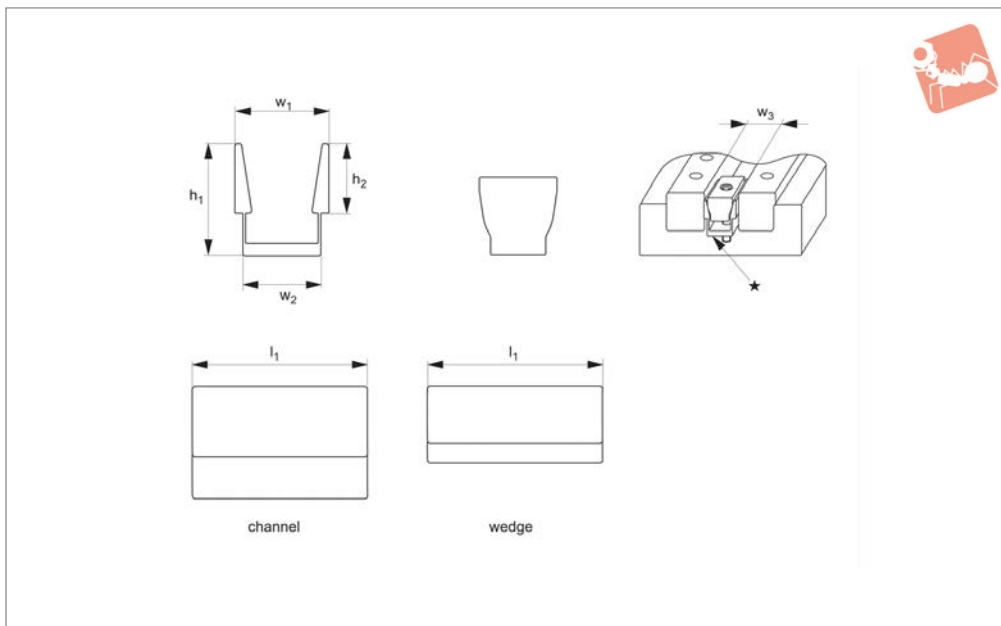




Uniforce Clamps

long length

Low Profile Side Clamping



12131

LOW PROFILE SIDE CLAMPING

Material

Channel: aluminium (7075-T6).

Wedge: steel.

Technical Notes

Standard length of 508mm supplied, to allow machining to your own requirements.

No drilled holes.

Important Notes

Dimension „w₃“ is distance needed between workpieces for clamp clearance. Drill and tap mounting hole on centre of this dimension.
 „*“ a milled slot wider than w₂ will ensure

clamp remains in line with workpiece. Clamp sides should not come into contact with slot wall during expansion. Channel and wedge supplied separately. If both parts are required please order them separately.

Order No.	Part	h ₁	h ₂	l ₁	w ₁	w ₂	w ₃	Spread max.
12131.W0001	Channel	6.4	3.6	508	6.1	5.3	6.4	6.7
12131.W0002	Channel	9.5	4.7	508	9.1	7.9	9.5	10.0
12131.W0004	Channel	12.7	5.6	508	12.3	10.4	12.7	13.2
12131.W0006	Channel	19.1	9.5	508	18.6	16.1	19.0	20.3
12131.W0008	Channel	25.4	12.7	508	24.8	20.8	25.4	26.9
12131.W0012	Channel	38.1	19.0	508	37.3	30.8	38.1	39.9
12131.W0016	Channel	50.8	25.4	508	49.7	41.2	50.8	53.0
12131.W0201	Wedge	-	-	508	6.1	-	-	-
12131.W0202	Wedge	-	-	508	9.1	-	-	-
12131.W0204	Wedge	-	-	508	12.3	-	-	-
12131.W0206	Wedge	-	-	508	18.6	-	-	-
12131.W0208	Wedge	-	-	508	24.8	-	-	-
12131.W0212	Wedge	-	-	508	37.3	-	-	-
12131.W0216	Wedge	-	-	508	49.7	-	-	-