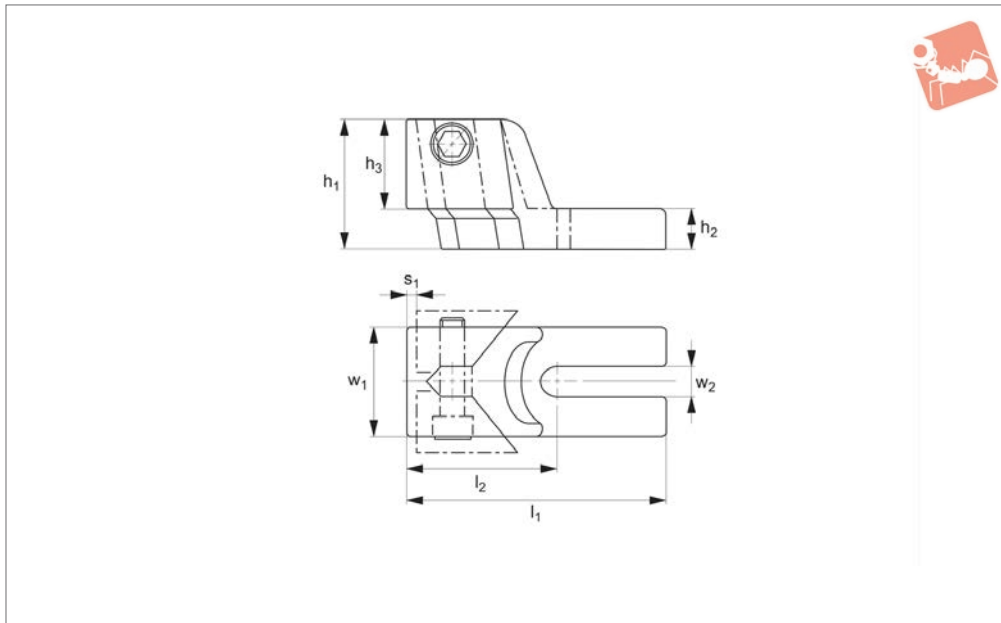




# Clamping Jaws - Standard downhold action

# Heavy-Duty Side Clamping



**12300**

HEAVY-DUTY SIDE CLAMPING

### Material

Body: cast iron.  
Jaws: steel, hardened.

### Technical Notes

For mounting of each clamp to machine

table, two clamping bolts no. 21000,  
washers no. 25000 and fixture nuts no.  
24300 should be ordered separately.  
Hex. key provided.

### Tips

Can be actuated from left hand side only.  
**Sold in pairs.**  
For table of clamping forces, see below.

Order No.	For T-slot	w <sub>1</sub>	w <sub>2</sub>	h <sub>1</sub>	h <sub>2</sub>	h <sub>3</sub>	l <sub>1</sub>	l <sub>2</sub>	Stroke s <sub>1</sub>	Weight g
<b>12300.W0016</b>	10-14	40	13	50	20	30	115	60	3	1590
<b>12300.W0018</b>	16-20	50	19	60	25	35	150	72	4	2940
<b>12300.W0030</b>	22-36	80	31	75	30	45	205	102	5	7900

