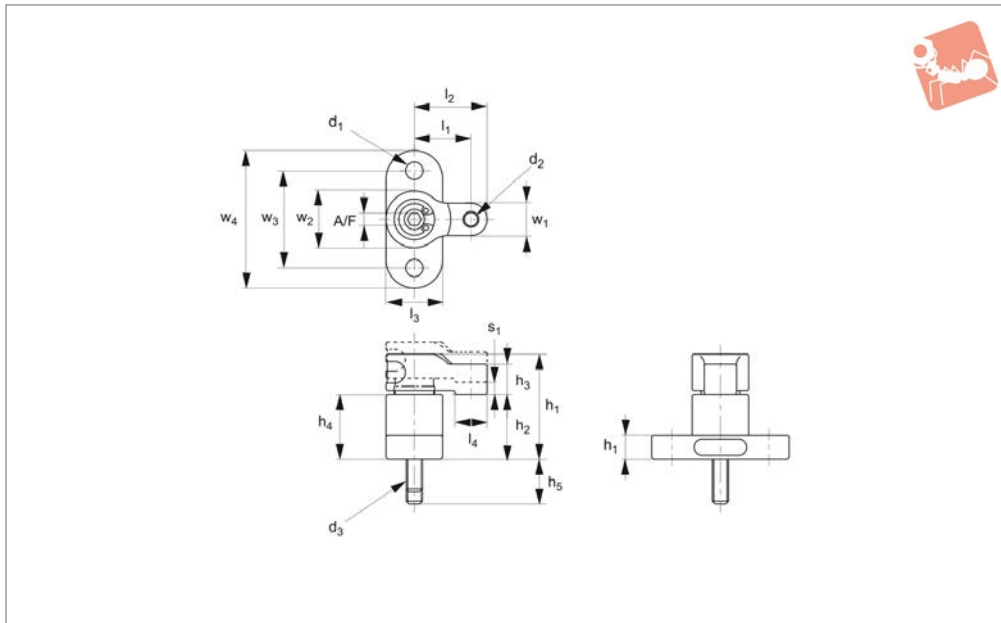




# Hook Clamp flanged

# Adjustable Vertical Clamps



**12550.3**

ADJUSTABLE VERTICAL CLAMPS

**Material**

Steel (42CrMo), quenched and tempered, black oxide finish.  
Holder: steel (C45), quenched and

tempered, black oxide finish.

**Technical Notes**

Ideal for low height clamping.

The hook clamp is designed to move up and down in conjunction with the tightening screw.

Order No.	$h_1$	Stroke $s_1$	$l_1$	$d_1$	$d_2$	$h_2$	$h_3$	$h_4$	$h_5$	$d_3$	$l_2$	$l_3$	$w_1$	$w_2$	$w_3$	$w_4$	Torque to Nm max.	A/F	Clamping force kN	Weight g
<b>12550.W0210</b>	6	3	14	4,3	M 4x0,7	16	7,5	16	11	M 4x30	18	14	8	14	24	34	2,7	3	2,0	45
<b>12550.W0212</b>	8	4	17	5,3	M 5x0,8	19	9,5	19	12	M 5x35	22	16	10	16	28	40	7,0	5	3,5	75

