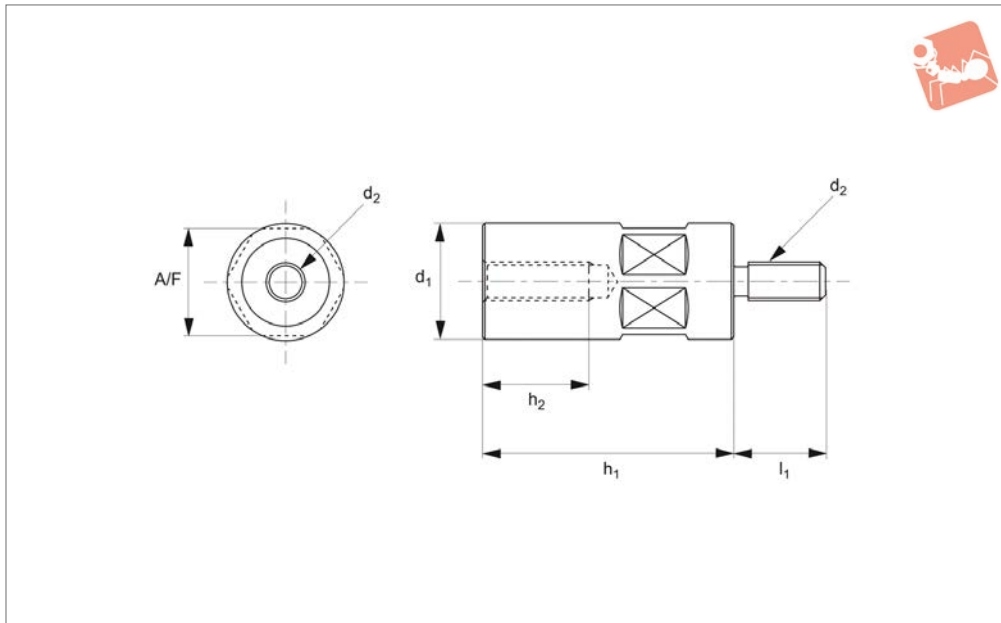




Hook Clamp Risers

cylindrical

Adjustable Vertical Clamps



12550.5

ADJUSTABLE VERTICAL CLAMPS

Material

Steel, heat treated and black oxide finish.

Technical Notes

For use with hook clamps 12550.

Order No.	h_1	l_1	d_1	d_2	h_2	A/F	Weight g
12550.W2241	32	19	24	M 8x1,25	20	22	105
12550.W2242	40	19	24	M 8x1,25	20	22	135
12550.W2243	50	19	24	M 8x1,25	20	22	170
12550.W2244	65	19	24	M 8x1,25	20	22	220
12550.W2401	50	30	40	M12x1,75	35	36	480
12550.W2402	65	30	40	M12x1,75	35	36	640
12550.W2403	80	30	40	M12x1,75	35	36	740
12550.W2404	100	30	40	M12x1,75	35	36	940
12550.W2405	125	30	40	M12x1,75	35	36	1230
12550.W2406	160	30	40	M12x1,75	35	36	1570
12550.W2407	200	30	40	M12x1,75	35	36	1970
12550.W2501	50	30	50	M16x2	35	46	770
12550.W2502	65	30	50	M16x2	35	46	1000
12550.W2503	80	30	50	M16x2	35	46	1160
12550.W2504	100	30	50	M16x2	35	46	1470
12550.W2505	125	30	50	M16x2	35	46	1920
12550.W2601	160	30	60	M16x2	35	55	3490
12550.W2602	200	30	60	M16x2	35	55	4370