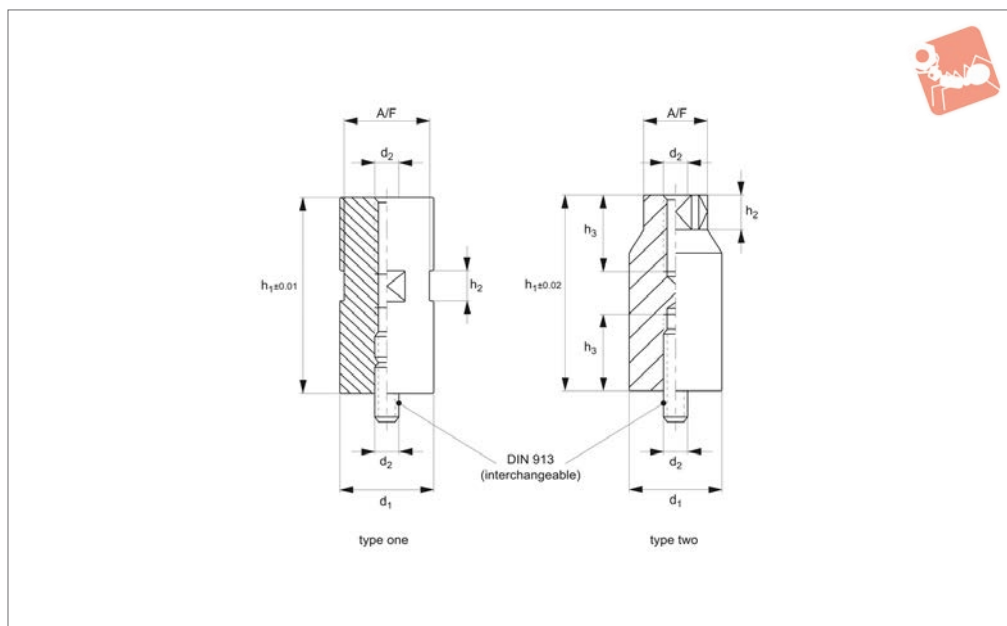




Height Adjusting Cylinders

for down thrust clamps 12603



12605

SERIES

Material

Steel case-hardened, blackened and ground.

Technical Notes

Increase clamping height for down-thrust clamps, alternatively can be used as

general height setting and supporting elements.

Order No.	Type	d ₁ tol. h9	d ₂	h ₁ ±0.01	h ₂	h ₃	A/F	Weight g
12605.W0125	One	25	M 8	20	10	-	22	71
12605.W0126	One	25	M 8	40	20	-	22	139
12605.W0127	One	25	M 8	80	20	-	22	292
12605.W0140	One	40	M12	35	20	-	36	319
12605.W0141	One	40	M12	70	20	-	36	644
12605.W0142	One	40	M12	140	20	-	36	1325
12605.W0145	One	40	M16	35	20	-	36	318
12605.W0146	One	40	M16	70	20	-	36	634
12605.W0147	One	40	M16	140	20	-	36	1307
12605.W0160	One	60	M12	35	20	-	55	755
12605.W0161	One	60	M12	70	20	-	55	1460
12605.W0162	One	60	M12	140	20	-	55	3034
12605.W0165	One	60	M16	35	20	-	55	438
12605.W0166	One	60	M16	70	20	-	55	1493
12605.W0167	One	60	M16	140	20	-	55	3016
12605.W0170	One	32	M10	35	20	-	27	1087
12605.W0171	One	32	M10	70	20	-	27	2130
12605.W0172	One	32	M10	140	20	-	27	4335
12605.W0241	One	70	M24	50	25	-	65	1310
12605.W0242	One	70	M24	100	25	-	65	2682
12605.W0243	Two	90	M24	200	35	50	65	8655
12605.W0244	Two	90	M24	300	35	50	65	13617

Height Adjusting Cylinders

for down thrust clamps 12603



SERIES

