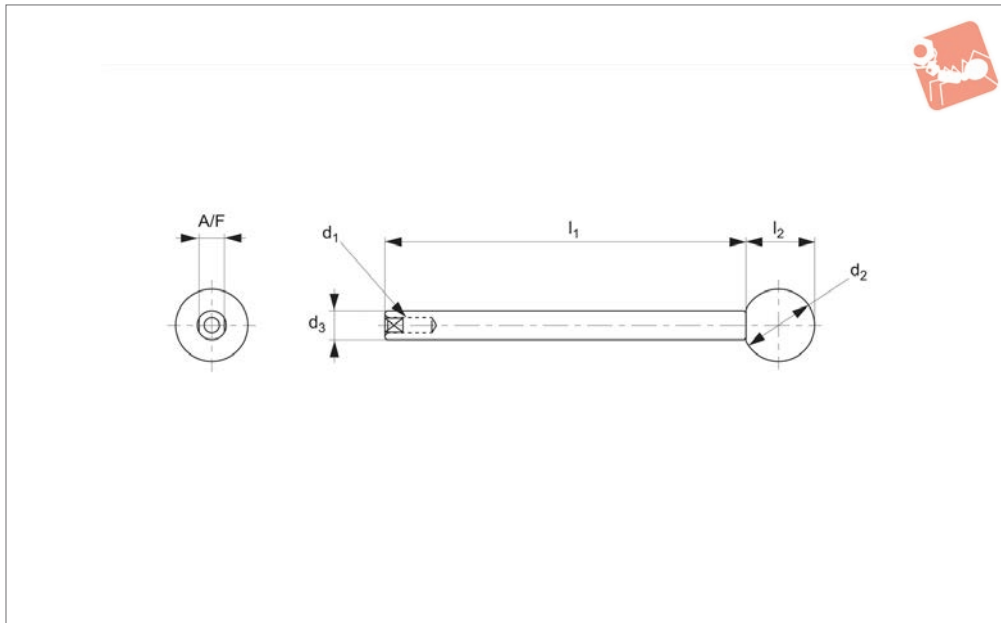




Handles For Thrust Clamps for 12615 & 12616

Adjustable Vertical Clamps



12616.2

ADJUSTABLE VERTICAL CLAMPS

Material

Arm: steel (C45), chrome plated.
Ball knob: ABS resin black.

Tips

Can be used with part no's 12615 and 12616.W0008- .W0312.

Order No.	d ₁	d ₂	d ₃	l ₁	l ₂	A/F	Weight g
12616.W0810	M 4x8	20	8	100	19	7	50
12616.W0812	M 4x8	20	8	125	19	7	60
12616.W0815	M 4x8	20	8	150	19	7	70
12616.W1212	M 6x12	25	12	125	24	10	130
12616.W1215	M 6x12	25	12	150	24	10	150
12616.W1220	M 6x12	25	12	200	24	10	190

