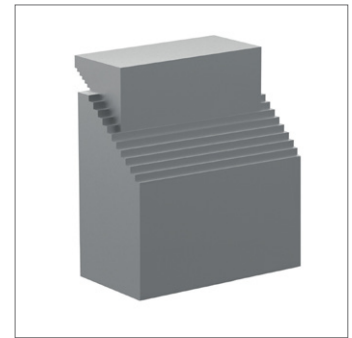
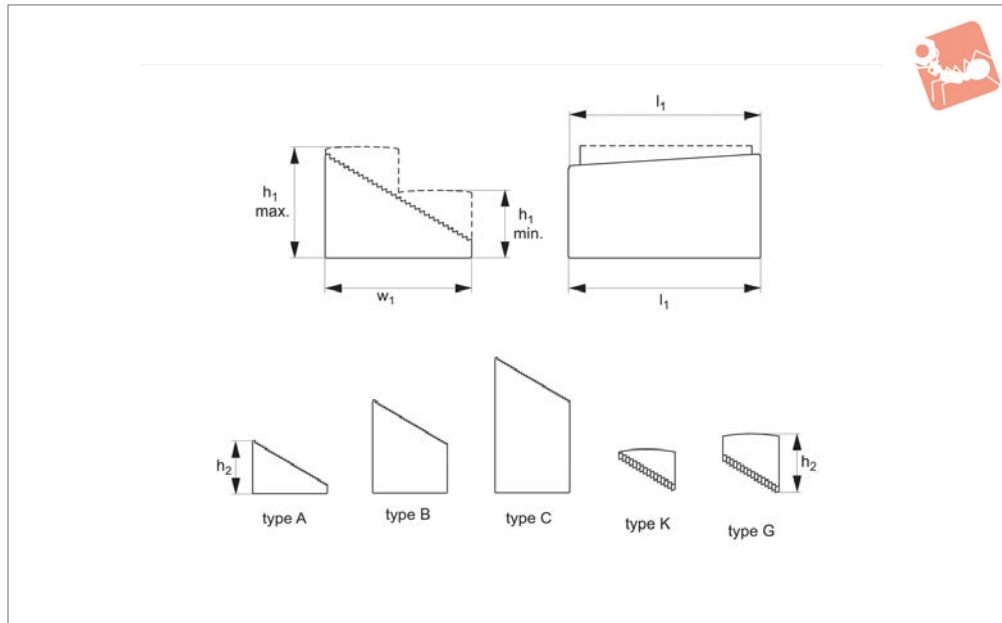




# Adjustable Step Blocks with spiral gearing

## Screw Jacks



# 14040

SCREW JACKS

### Material

Steel, tempered and enamelled.

The tooth form is a metric profile to DIN 13 sheet 1 with a pitch of 2,5mm. It lies in the normal section of the setting level.

### Technical Notes

DIN 6326.

Order No.	Type	Clamping height $h_1$ min.	Clamping height $h_1$ max.	Description	$h_2$	$w_1$	$l_1$	Lower part	Upper part	Single parts	Weight g
14040.W0001	A			Lower part	42	60	80			A	850
14040.W0002	B			Lower part	82	60	80			B	2300
14040.W0003	C			Lower part	122	60	80			C	3800
14040.W0004	K			Upper part	24	30	70			K	200
14040.W0005	G			Upper part	44	30	70			G	500
14040.W0014	A+K	25	45	Combination				A	K		1050
14040.W0015	A+G	45	65	Combination				A	G		1350
14040.W0017	A+K+G	25	65	Combination				A	KG		1550
14040.W0023	B+K	65	85	Combination				B	K		2500
14040.W0025	B+G	85	105	Combination				B	G		2800
14040.W0026	B+K+G	65	105	Combination				B	KG		3000
14040.W0034	C+K	105	125	Combination				C	K		4000
14040.W0035	C+G	125	145	Combination				C	G		4300
14040.W0036	C+K+G	105	145	Combination				C	KG		4500

