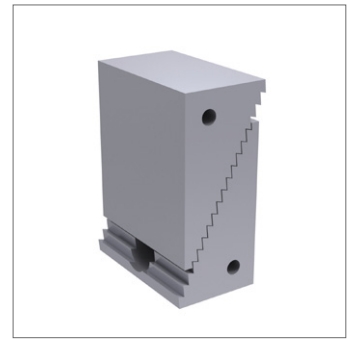
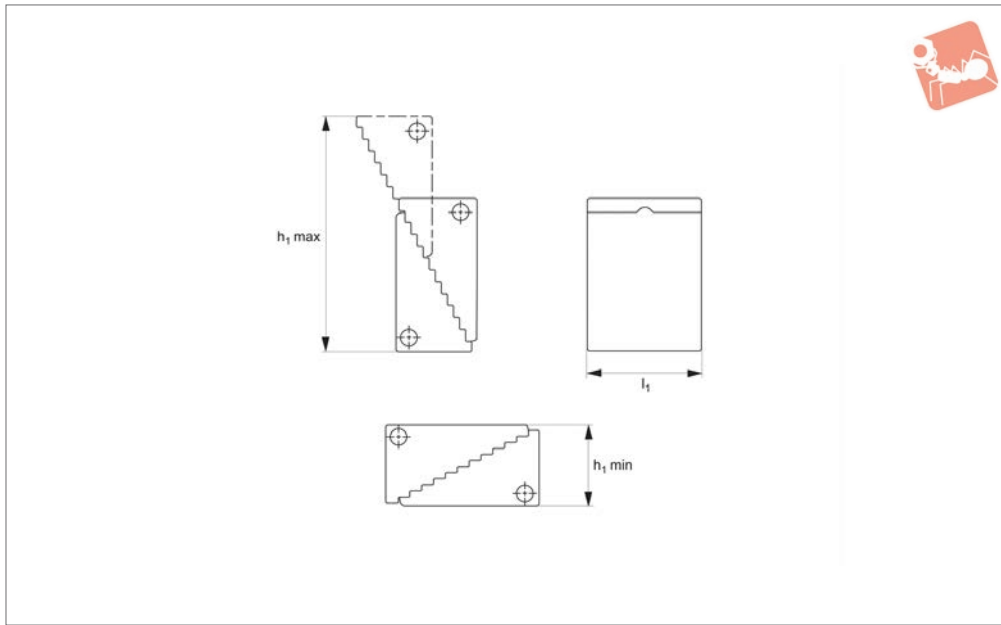




Step Blocks with coupling spring

Screw Jacks



14110

SCREW JACKS

Material

Carbon steel, enamelled.

Technical Notes

Similar to no. 14000.W0002 but joined

together with a spring for ease of handling. Used vertically or horizontally. Step increments vertical 4,65mm, horizontal 2,30mm.

Order No.	Size	h_1 min.	h_1 max.	l_1	Weight g
14110.W0001	2	37	107	60	1000