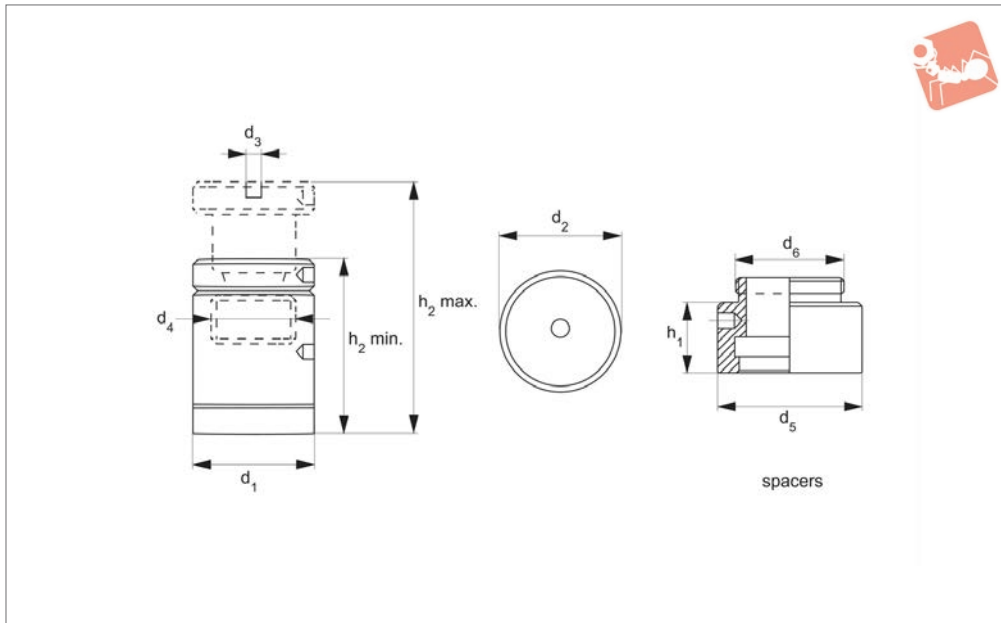




Aluminium Screw Jacks and spacer elements

Screw Jacks



14140

SCREW JACKS

Material

Body: aluminium.

Spindle: steel, tempered with trapezoidal self locking thread.

Tips

Individual parts can be combined to create

screw jacks of varying heights (maximum 350mm).

Max. static load (30kN.) applies for heights up to 350mm, above which there is danger of buckling.

Important Notes

Do not adjust screw jack under load.

Order No.	Type	h_1	h_2 min.	h_2 max.	d_1	d_2	d_3	d_4	d_5	d_6	Static load kN max.	Weight g
14140.W0010	Screw Jack with Aluminium Foot	-	75	88	50	50	12	30x4	-	-	30	630
14140.W0020	Screw Jack with Magnetic Foot	-	75	88	50	50	12	30x4	-	-	30	720
14140.W0125	Spacer Element	12.5	-	-	-	-	-	-	50	M38x2	30	38
14140.W0250	Spacer Element	25.0	-	-	-	-	-	-	50	M38x2	30	76
14140.W0500	Spacer Element	50.0	-	-	-	-	-	-	50	M38x2	30	165