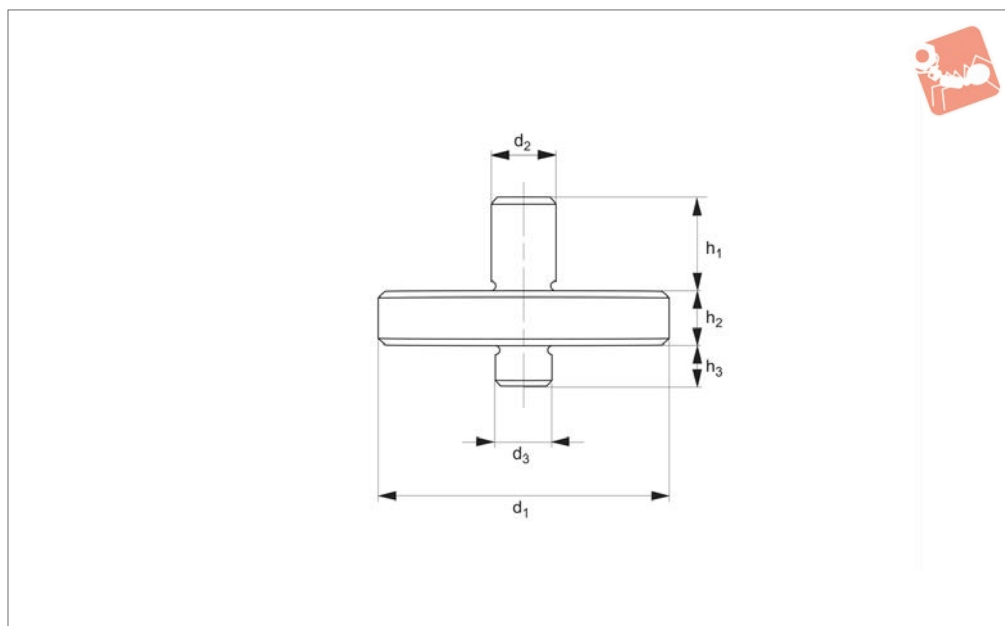




Locating Pad - Pin Type for screw jacks

Screw Jacks



15040

SCREW JACKS

Material

Steel, hardened and blackened.

15300.

See technical pages for the table of screw jack suitability.

Tips

Can be used with screw jacks 15000 and

Order No.	d ₁	d ₂	d ₃	h ₁	h ₂	h ₃	Weight g
15040.W0163	63	14	12	15	12	8	310
15040.W0167	78	25	12	19	15	8	650



15030
Spherical



15040
Pin Type



15050
Vee Type



15060
Centering Pin



15070
Cylindrical



15080
Self-Aligning



15090
Pivot Ball



15000
Screw Jack



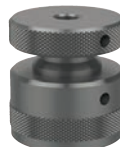
15042
Locating Pad



15062
Centering Pad



15002
Screw Jack



These screw and aligning jacks offer a broad range of applications. Due to their robust construction, the screw jacks function securely and precisely, with infinite adjustment even under heavy loads.

- Safe and reliable clamp supports for heights from 38 to 1250mm.
- Accurate and safe supporting and setting of any workpiece in various levels and heights.
- Aluminium screw jacks for delicate machine tables, surface plates and CMM tables.
- Magnetic screw jacks for horizontal and vertical supporting and setting.

Table of Suitability for Screw Jack Attachments

Attachments	Suited to screw jacks with centering pin - plain bore	Suitable screw jack
15030	Ø12	15200 14130
15040		15220 14140
15050		15000 15300
15060		15000 15320
15070		15100 15360
15080		15120 15500
15090		

Attachments	Suited to screw jacks with either / or centering pin - threaded	Suitable screw jack
15042	M 12	15002.W0052 / W0070 / W0100
15062	M 10	15320 15360
15062	M 12	15002.W0052 / W0070 / W0100

Attachments	Base thread	Suitable screw jack
15042	M38 x 2	15000.W0052 / W0070 / W0100
15062		15000.W0052 / W0070 / W0100
		15100 14140