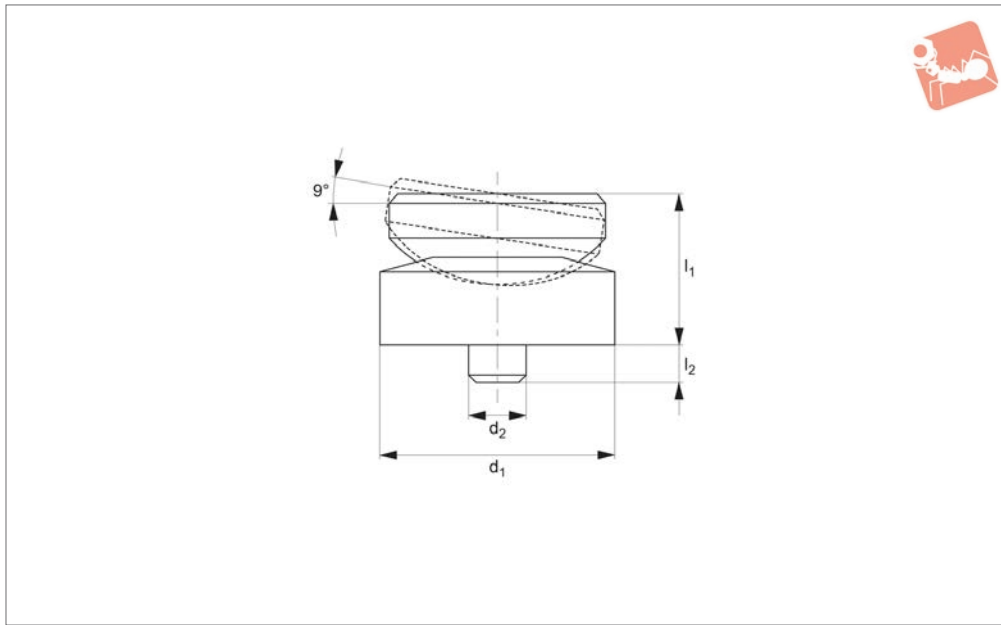




# Locating Pad - Self-Aligning for screw jacks

## Screw Jacks



### 15080

SCREW JACKS

#### Material

Steel, case-hardened, blackened.

#### Technical Notes

These self-aligning pads ensure that the

bearing surfaces between the clamp/work-piece, and the screw jack are correctly aligned.

See technical pages for the table of screw

jack suitability.

Order No.	For screw jack	d <sub>1</sub>	d <sub>2</sub>	l <sub>1</sub>	l <sub>2</sub>	Weight g
15080.W0150	Sizes 52, 70, 100	50	12	32	8	399
15080.W0165	Sizes 140, 210	65	12	35	8	715



**15030**  
Spherical



**15040**  
Pin Type



**15050**  
Vee Type



**15060**  
Centering Pin



**15070**  
Cylindrical



**15080**  
Self-Aligning



**15090**  
Pivot Ball



**15000**  
Screw Jack



**15042**  
Locating Pad



**15062**  
Centering Pad



**15002**  
Screw Jack



These screw and aligning jacks offer a broad range of applications. Due to their robust construction, the screw jacks function securely and precisely, with infinite adjustment even under heavy loads.

- Safe and reliable clamp supports for heights from 38 to 1250mm.
- Accurate and safe supporting and setting of any workpiece in various levels and heights.
- Aluminium screw jacks for delicate machine tables, surface plates and CMM tables.
- Magnetic screw jacks for horizontal and vertical supporting and setting.

### Table of Suitability for Screw Jack Attachments

Attachments	Suited to screw jacks with centering pin - plain bore	Suitable screw jack
15030	Ø12	15200 14130
15040		15220 14140
15050		15000 15300
15060		15000 15320
15070		15100 15360
15080		15120 15500
15090		

Attachments	Suited to screw jacks with either / or centering pin - threaded	Suitable screw jack
15042	M 12	15002.W0052 / W0070 / W0100
15062	M 10	15320 15360
15062	M 12	15002.W0052 / W0070 / W0100

Attachments	Base thread	Suitable screw jack
15042	M38 x 2	15000.W0052 / W0070 / W0100
15062		15000.W0052 / W0070 / W0100
		15100 14140