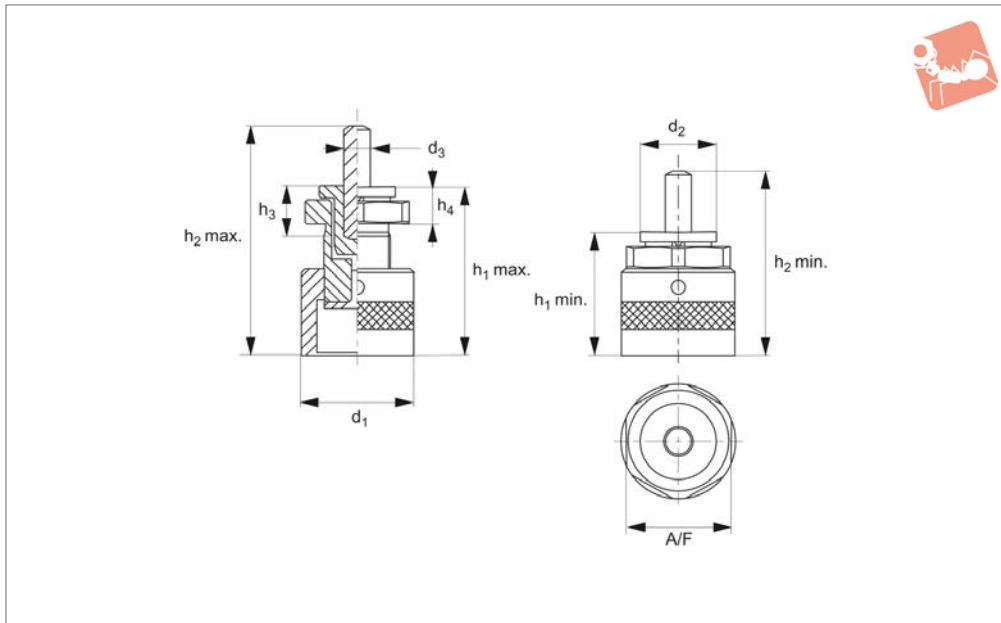




Height Setting Screw Jacks with locating pins

Screw Jacks



15200

SCREW JACKS

Material

Body: steel, tempered.
Spindle: M30x1,5 fine thread with end stop.

Technical Notes

Comes with 2 locating pins (Ø12x50 and

Ø12x80). Centering hole Ø12 mm. The M30x1,5 fine thread makes precise adjustment possible whilst preventing the workpiece from turning.

See technical pages for the table of locating pad and support locating element

suitability.

Tips

A bearing insert prevents the workpiece turning whilst the jack is adjusted.

Order No.	h_1 min.	h_1 max.	h_3	h_4	d_1	d_2	d_3	A/F	Static load kN max.	With locating pins 12x80 h_2 min. - h_2 max.	With locating pins 12x50 h_2 min. - h_2 max.	Weight g
15200.W0007	55	75	22	16,5	50	34	12	46	30	113-133	82-102	680
15200.W0011	75	115	22	16,5	50	34	12	46	30	132-172	102-142	550