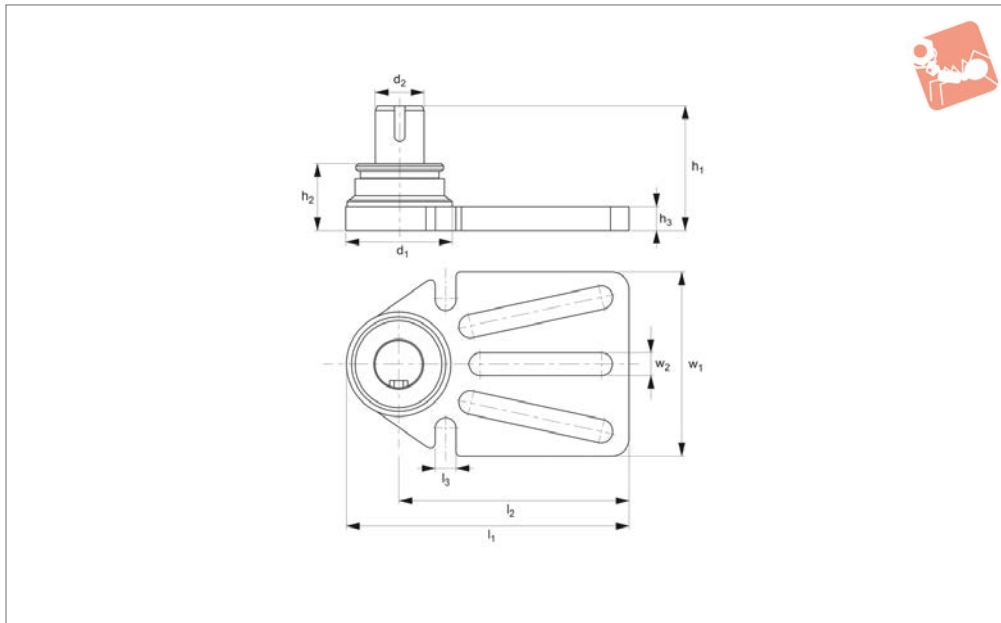




Modular Screw Jack Base

adjustable

Screw Jacks



15370.5

SCREW JACKS

Material

Steel, tempered, burnished.

Enables easy positioning on a machine table.

Technical Notes

Can be used on T-slots and grid plates.

| Order No. | h_1 | h_2 | h_3 | w_1 | w_2 | d_1 | d_2 | l_1 | l_2 | l_3 | Weight g |
|--------------------|-------|-------|-------|-------|-------|-------|-------|-------|-------|-------|----------|
| 15370.W0456 | 106 | 56 | 20 | 158.5 | 20 | 90 | 42.5 | 240 | 195 | 17 | 5652 |



With the modular screw jack your production becomes even more flexible and economical. When combined you can achieve a maximum height of 1620mm.

Benefits

- Maximum height of 1620mm.
- Quick set-up time.

The Elements

- 1 Bearing pads, 15374.W0075, 15374.W0175, 15374.W0275
- 2 Screw jack, 15370.W0040, 15372.W0023
- 3 Spacer, 15370.W0116, 15370.W0126, 15370.W0135
- 4 Base, 15370.W0236, 15370.W0356, 15370.W0456
- 5 Thread adapter, 15374.W0016, 15374.W0020, 15374.W0024

