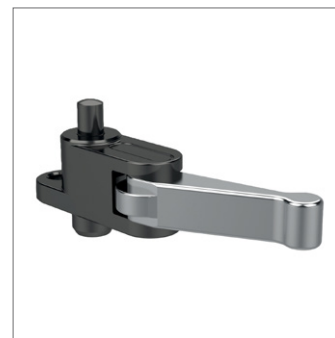
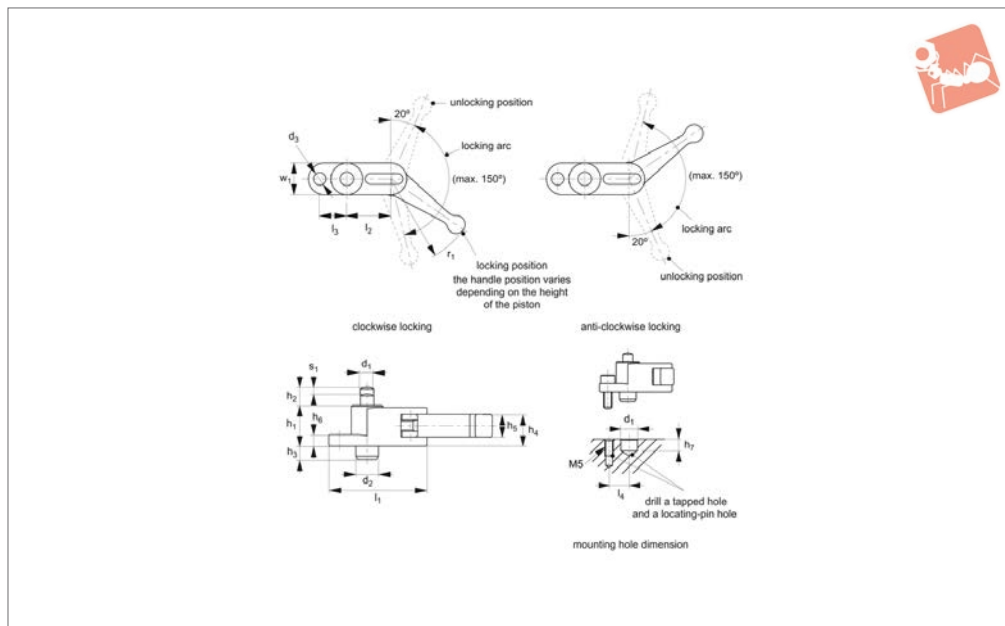




# Compact Work Supports with cam handle

## Supports & Stops



### 17002

SUPPORTS & STOPS

#### Material

Body and pin: steel (S45C), black oxide finish.

Piston: steel, black oxide finish, HRc 50-55. Cam handle: zinc die-cast, chrome plated.

#### Technical Notes

The built in disc spring prevent release.

Order No.	w <sub>1</sub>	h <sub>1</sub>	h <sub>2</sub>	d <sub>1</sub>	d <sub>2</sub>	d <sub>3</sub>	d <sub>4</sub> +0.3 -0	h <sub>3</sub>	h <sub>4</sub>	h <sub>5</sub>	Weight g
17002.W0018	14	18	8	6	10	5.5	10	6.0	14.5	10	76
17002.W0118	14	18	8	6	10	5.5	10	6.0	14.5	10	76
17002.W0025	18	25	10	10	14	5.5	14	9.5	18.5	13	140
17002.W0125	18	25	10	10	14	5.5	14	9.5	18.5	13	140

Order No.	h <sub>6</sub>	h <sub>7</sub>	Handle load N max.	l <sub>1</sub>	l <sub>2</sub>	l <sub>3</sub>	l <sub>4</sub>	r <sub>1</sub>	Locking direction	Locking mechanism	Piston spring force N	Stroke s <sub>1</sub>	Support capacity N max.
17002.W0018	5	7.0	80	43.5	19.5	12	12	39	Clockwise	Spiral cam, 4°	1,5-3	3	200
17002.W0118	5	7.0	80	43.5	19.5	12	12	39	Anticlockwise	Spiral cam, 4°	1,5-3	3	200
17002.W0025	5	10.5	100	50.4	22.4	14	14	50	Clockwise	Spiral cam, 4°	1,8-3	4	400
17002.W0125	5	10.5	100	50.4	22.4	14	14	50	Anticlockwise	Spiral cam, 4°	1,8-3	4	400

