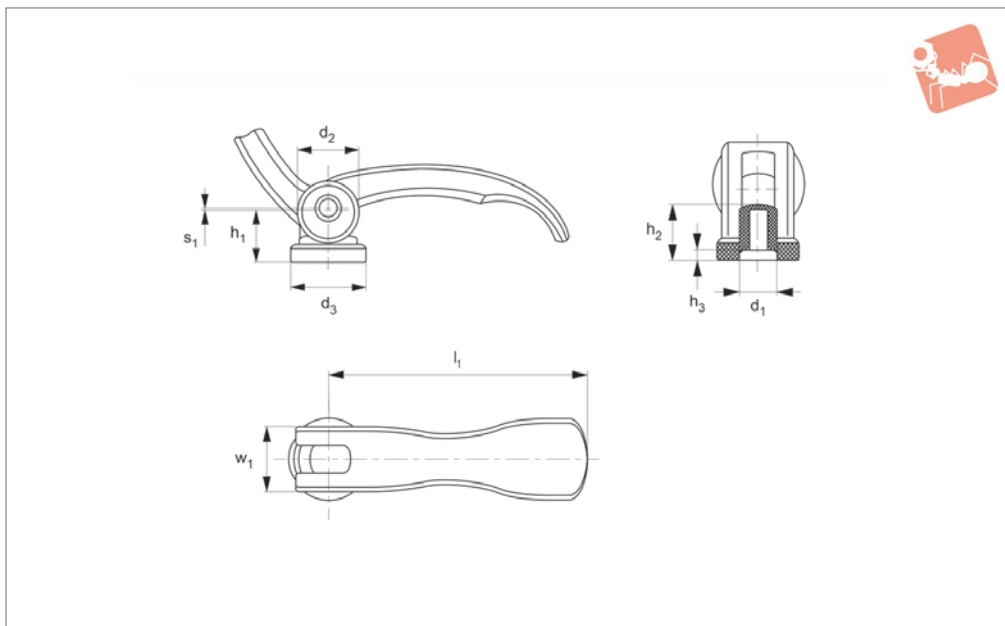




Cam Levers - Female fixed

Standard Manual Clam-



18580.1

STANDARD MANUAL CLAMPING

Material

Handle: zinc die-cast, black plastic coated.
Threaded part, inner parts, adjusting nut: steel, galvanised or stainless 1.4305.

Bearing washer: glass reinforced, thermo-plastic.

Technical Notes

Enables quick and easy clamping of work-pieces.
Withstands temperatures of up to 80°C.

Order No.	Material	w ₁	l ₁	d ₁	h ₁ max.	d ₂	d ₃	h ₂	h ₃	Clamping stroke s ₁	Weight g
18580.W0003	Steel	16	63	M 5	16.4	16	18.5	13	3.0	0.75	60
18580.W0001	Steel	16	63	M 6	16.4	16	18.5	13	3.0	0.75	58
18580.W0002	Steel	20	82	M 8	19.5	20	22.5	15	3.7	1.00	116
18580.W0203	Stainless	16	63	M 5	16.4	16	18.5	13	3.0	0.75	60
18580.W0201	Stainless	16	63	M 6	16.4	16	18.5	13	3.0	0.75	58
18580.W0202	Stainless	20	82	M 8	19.5	20	22.5	15	3.7	1.00	116

