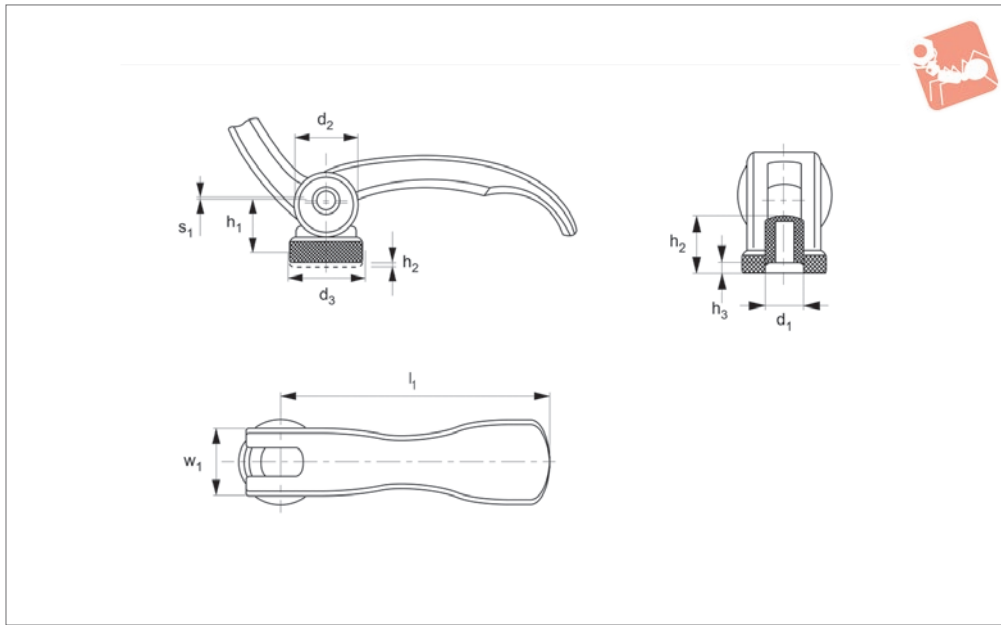




Eccentric Levers - with Threaded Bush

quick clamping - adjustable



18580.2

STANDARD MANUAL CLAMPING

Material

Handle: zinc die-cast, black plastic coated.
Threaded part, inner parts, adjusting nut: stainless steel (AISI 303, 1.4305).
Bearing washer: reinforced glass, thermo-

plastic.

Technical Notes

Enables quick and easy clamping of workpieces.

Adjustable type enables repositioning of lever to avoid obstruction of the workpiece.

Withstands temperatures of up to 80° C.

Order No.	Material	w ₁	l ₁	d ₁	h ₁ max.	d ₂	d ₃	Range of adj. h ₂	h ₃	h ₄ min.	Clamping stroke s ₁	Weight g
18580.W0302	Stainless	20	82	M 8	19.5	20	25	2.5	15	3.7	1.00	130
18580.W0303	Stainless	16	63	M 5	16.4	16	19	1.5	13	3.0	0.75	65
18580.W0301	Stainless	16	63	M 6	16.4	16	19	1.5	13	3.0	0.75	64
18580.W0102	Steel	20	82	M 8	19.5	20	25	2.5	15	3.7	1.00	130
18580.W0103	Steel	16	63	M 5	16.4	16	19	1.5	13	3.0	0.75	65
18580.W0101	Steel	16	63	M 6	16.4	16	19	1.5	13	3.0	0.75	64

