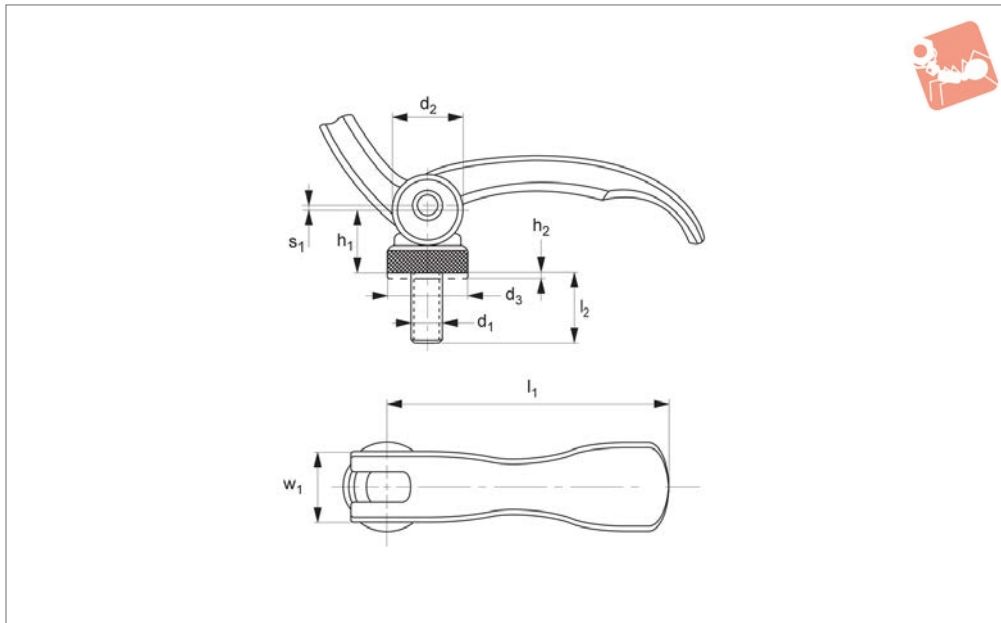




Eccentric Levers - Male adjustable

Standard Manual Clam-



18582.2

STANDARD MANUAL CLAMPING

Material

Handle: zinc die-cast, black plastic coated.
Grub screw, inner parts, adjusting nut: steel, zinc plated or stainless steel (AISI 303, 1.4305).

Bearing washer: Thermoplastic (POM), glass-reinforced.

Technical Notes

Enables quick and easy clamping of work-

pieces. Adjustable type enables re-positioning of lever to avoid obstruction of the workpiece.

Withstands temperatures of up to 80° C.

Order No.	Material	w ₁	l ₁	d ₁	h ₁ max.	d ₂	d ₃	h ₂ range of adj.	l ₂ max.	Type	Clamping stroke s ₁	Weight g
18582.W0130	Steel	16	63	M 5	16.4	16	19	1.5	16	Adjustable	0.75	68
18582.W0131	Steel	16	63	M 5	16.4	16	19	1.5	20	Adjustable	0.75	69
18582.W0132	Steel	16	63	M 5	16.4	16	19	1.5	25	Adjustable	0.75	70
18582.W0133	Steel	16	63	M 5	16.4	16	19	1.5	30	Adjustable	0.75	71
18582.W0134	Steel	16	63	M 5	16.4	16	19	1.5	35	Adjustable	0.75	71
18582.W0135	Steel	16	63	M 5	16.4	16	19	1.5	40	Adjustable	0.75	72
18582.W0136	Steel	16	63	M 5	16.4	16	19	1.5	50	Adjustable	0.75	73
18582.W0109	Steel	16	63	M 6	16.4	16	19	1.5	16	Adjustable	0.75	69
18582.W0110	Steel	16	63	M 6	16.4	16	19	1.5	20	Adjustable	0.75	69
18582.W0111	Steel	16	63	M 6	16.4	16	19	1.5	25	Adjustable	0.75	71
18582.W0112	Steel	16	63	M 6	16.4	16	19	1.5	30	Adjustable	0.75	72
18582.W0113	Steel	16	63	M 6	16.4	16	19	1.5	35	Adjustable	0.75	73
18582.W0114	Steel	16	63	M 6	16.4	16	19	1.5	40	Adjustable	0.75	74
18582.W0116	Steel	16	63	M 6	16.4	16	19	1.5	50	Adjustable	0.75	76
18582.W0120	Steel	20	82	M 8	19.5	20	25	2.5	25	Adjustable	1.00	142
18582.W0121	Steel	20	82	M 8	19.5	20	25	2.5	30	Adjustable	1.00	144
18582.W0122	Steel	20	82	M 8	19.5	20	25	2.5	35	Adjustable	1.00	146
18582.W0125	Steel	20	82	M 8	19.5	20	25	2.5	50	Adjustable	1.00	152
18582.W0127	Steel	20	82	M 8	19.5	20	25	2.5	60	Adjustable	1.00	156
18582.W0330	Stainless	16	63	M 5	16.4	16	19	1.5	16	Adjustable	0.75	68
18582.W0331	Stainless	16	63	M 5	16.4	16	19	1.5	20	Adjustable	0.75	69
18582.W0332	Stainless	16	63	M 5	16.4	16	19	1.5	25	Adjustable	0.75	70
18582.W0333	Stainless	16	63	M 5	16.4	16	19	1.5	30	Adjustable	0.75	71
18582.W0334	Stainless	16	63	M 5	16.4	16	19	1.5	35	Adjustable	0.75	71
18582.W0335	Stainless	16	63	M 5	16.4	16	19	1.5	40	Adjustable	0.75	72
18582.W0336	Stainless	16	63	M 5	16.4	16	19	1.5	50	Adjustable	0.75	73
18582.W0309	Stainless	16	63	M 6	16.4	16	19	1.5	16	Adjustable	0.75	69
18582.W0310	Stainless	16	63	M 6	16.4	16	19	1.5	20	Adjustable	0.75	69
18582.W0311	Stainless	16	63	M 6	16.4	16	19	1.5	25	Adjustable	0.75	71
18582.W0312	Stainless	16	63	M 6	16.4	16	19	1.5	30	Adjustable	0.75	72
18582.W0313	Stainless	16	63	M 6	16.4	16	19	1.5	35	Adjustable	0.75	73
18582.W0314	Stainless	16	63	M 6	16.4	16	19	1.5	40	Adjustable	0.75	74
18582.W0316	Stainless	16	63	M 6	16.4	16	19	1.5	50	Adjustable	0.75	76



Order No.	Material	w ₁	l ₁	d ₁	h ₁ max.	d ₂	d ₃	h ₂ range of adj.	l ₂ max.	Type	Clamping stroke s ₁	Weight g
18582.W0320	Stainless	20	82	M 8	19.5	20	25	2.5	25	Adjustable	1.00	142
18582.W0321	Stainless	20	82	M 8	19.5	20	25	2.5	30	Adjustable	1.00	144
18582.W0322	Stainless	20	82	M 8	19.5	20	25	2.5	35	Adjustable	1.00	146
18582.W0325	Stainless	20	82	M 8	19.5	20	25	2.5	50	Adjustable	1.00	152
18582.W0327	Stainless	20	82	M 8	19.5	20	25	2.5	60	Adjustable	1.00	156

STANDARD MANUAL CLAMPING

