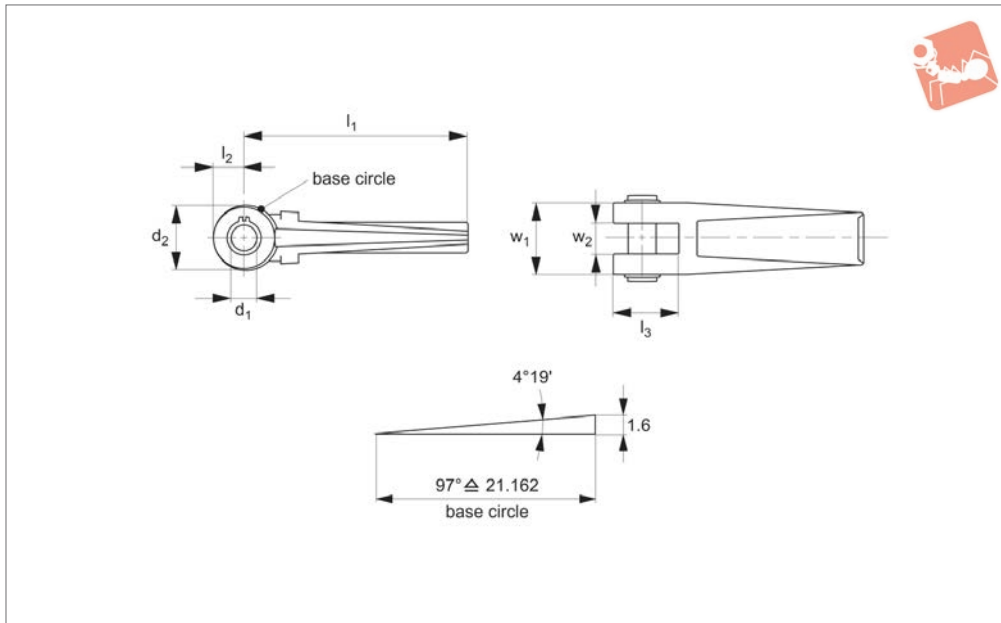




Eccentric Levers - Double Surface with fulcrum pin 18640



18600

STANDARD MANUAL CLAMPING

Material

Lever: steel, alloyed, case-hardened and blackened.
Fulcrum pin: steel, case-hardened and

ground. Complete with circlips.

Technical Notes

Eccentric clamping cams on both sides.

Tips

Can be used with swing bolts.

Order No.	w ₁	w ₂	l ₁	d ₁	d ₂	l ₂	l ₃	Weight g
18600.W0012	32	14.1	100	12	28	12.5	28.5	334