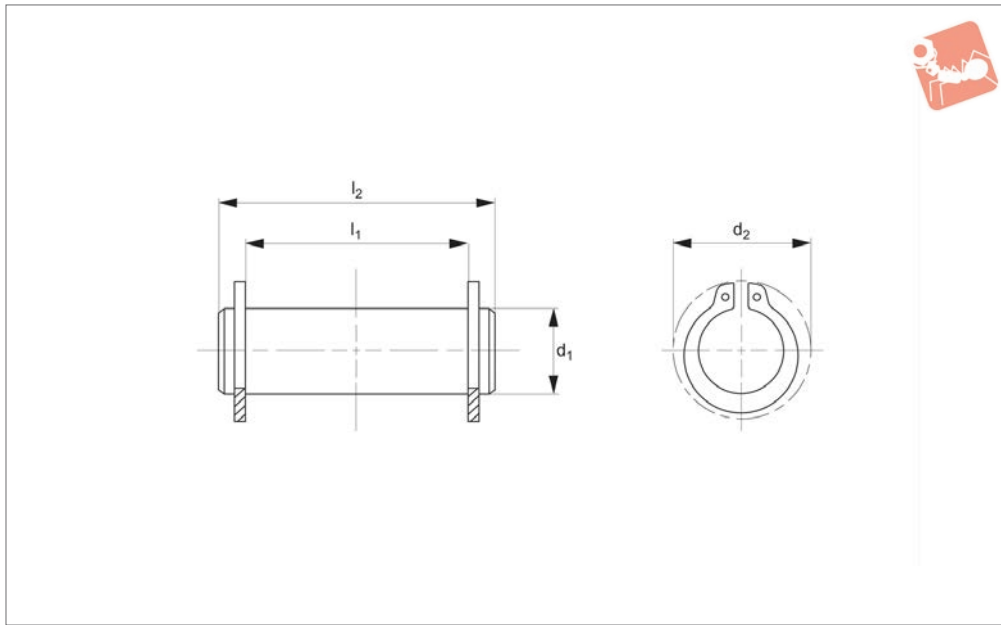




Fulcrum Pins - Stainless Steel

for eccentric levers 18620

Standard Manual Clam-



18640

STANDARD MANUAL CLAMPING

Material

Pin: stainless steel (AISI 420, 1.4021), heat treated.

Circlip: stainless steel (AISI 301, 1.4310) -

supplied.

Technical Notes

Suitable for eccentric levers no.18620 and

similar applications.

Order No.	l_1 -0.5	d_1 tol. f8	d_2	l_2	Weight g
18640.W0082	14	8	14.7	18	7.7
18640.W0085	21	8	14.7	27	10.0
18640.W0102	18	10	17.0	24	14.0
18640.W0105	29	10	17.0	35	21.0
18640.W0122	21	12	19.0	27	23.0
18640.W0125	31	12	19.0	37	34.0