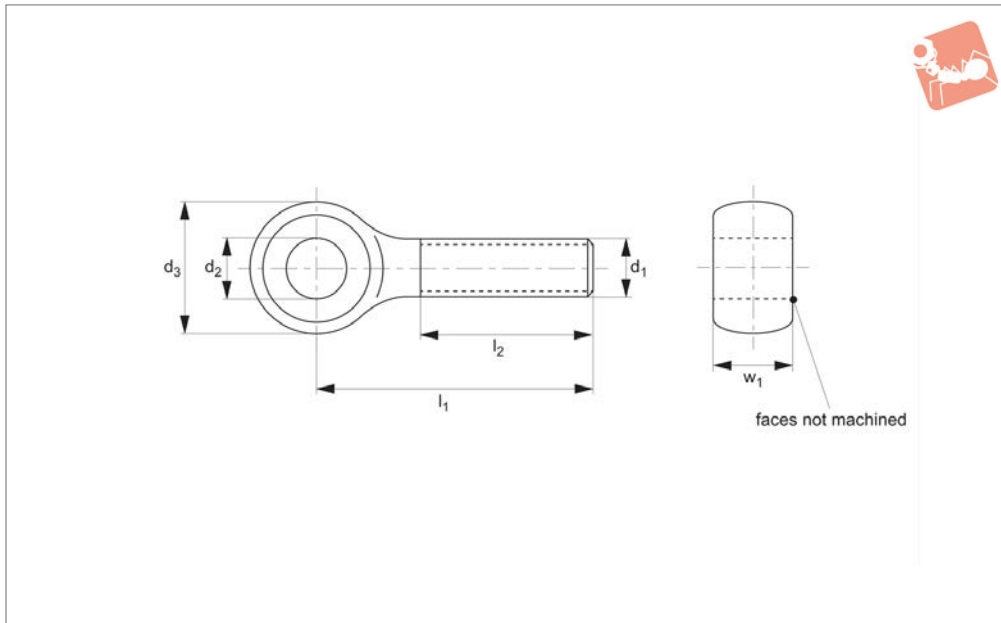




Swing Bolts - Standard Tolerance form B

Swing Bolts



18822

SWING BOLTS

Material

Steel, heat-treated and tempered, quality 8.8, black.

Technical Notes

DIN 444.

Important Notes

These parts have a bore d_2 standard tolerance H9 (faces are not machined).

For similar parts to DIN 444 with high tolerance see our part 18820.

Order No.	d_1	l_1	d_2 tol. h9	d_3	l_2	w_1	Weight g
18822.W0202	M 5	25	5	12	16	6	5.6
18822.W0203	M 5	30	5	12	16	6	6.4
18822.W0204	M 5	35	5	12	16	6	7.1
18822.W0205	M 5	40	5	12	16	6	7.9
18822.W0212	M 6	30	6	14	18	7	9.5
18822.W0214	M 6	40	6	14	18	7	12.0
18822.W0216	M 6	50	6	14	18	7	14.0
18822.W0218	M 6	60	6	14	18	7	16.0
18822.W0222	M 6	80	6	14	18	7	20.0
18822.W0232	M 8	40	8	18	22	9	22.0
18822.W0234	M 8	50	8	18	22	9	25.0
18822.W0236	M 8	60	8	18	22	9	29.0
18822.W0240	M 8	80	8	18	22	9	37.0
18822.W0244	M 8	100	8	18	22	9	44.0
18822.W0252	M10	50	10	20	26	12	37.0
18822.W0254	M10	60	10	20	26	12	43.0
18822.W0257	M10	75	10	20	26	12	52.0
18822.W0262	M10	100	10	20	26	12	67.0
18822.W0266	M10	120	10	20	26	12	72.0
18822.W0272	M12	50	12	25	30	14	59.0
18822.W0274	M12	60	12	25	30	14	68.0
18822.W0278	M12	80	12	25	30	14	85.0
18822.W0282	M12	100	12	25	30	14	102.0
18822.W0286	M12	120	12	25	30	14	119.0
18822.W0292	M16	60	16	32	38	17	128.0
18822.W0294	M16	80	16	32	38	17	158.0
18822.W0298	M16	100	16	32	38	17	190.0
18822.W0302	M16	120	16	32	38	17	220.0
18822.W0308	M16	150	16	32	44	17	265.0
18822.W0312	M20	100	18	40	46	22	329.0
18822.W0316	M20	120	18	40	46	22	371.0
18822.W0324	M20	160	18	40	52	22	466.0



Order No.	d ₁	l ₁	d ₂ tol. h9	d ₃	l ₂	w ₁	Weight g
18822.W0332	M20	200	18	40	52	22	562.0
18822.W0342	M24	100	22	45	54	25	442.0
18822.W0346	M24	120	22	45	54	25	512.0
18822.W0354	M24	160	22	45	60	25	649.0
18822.W0362	M24	200	22	45	60	25	787.0

SWING BOLTS



Swing Bolts - Overview



Swing Bolts - High Tolerance

18820

- Form B - DIN 444.
- Heat-treated steel, quality 8.8, blackened.
- Rolled thread, shaft \varnothing = thread \varnothing , faces machined.
- These parts offer a high precision bore d_2 to tolerance H7, with faces 'w₁' machined flat.



Swing Bolts - Standard Tolerance

18822

- Form B, DIN 444.
- Heat-treated steel, tempered, quality 8.8, black
- These parts have a bore d_2 with a standard tolerance H9 (faces 'w₁' are not machined).



Stainless Swing Bolts - High Tolerance

18830

- DIN 444.
- Stainless steel 1.4305 (AISI 304). Turned, thread rolled. Matt shot blasted.
- These parts offer a high precision bore d_2 to tolerance H7, with faces 'w₁' machined flat.



Stainless Swing Bolts - Standard Tolerance

18832

- DIN 444.
- Stainless steel 1.4301.
- These parts have a bore d_2 with a standard tolerance H9 (faces 'w₁' are not machined).