

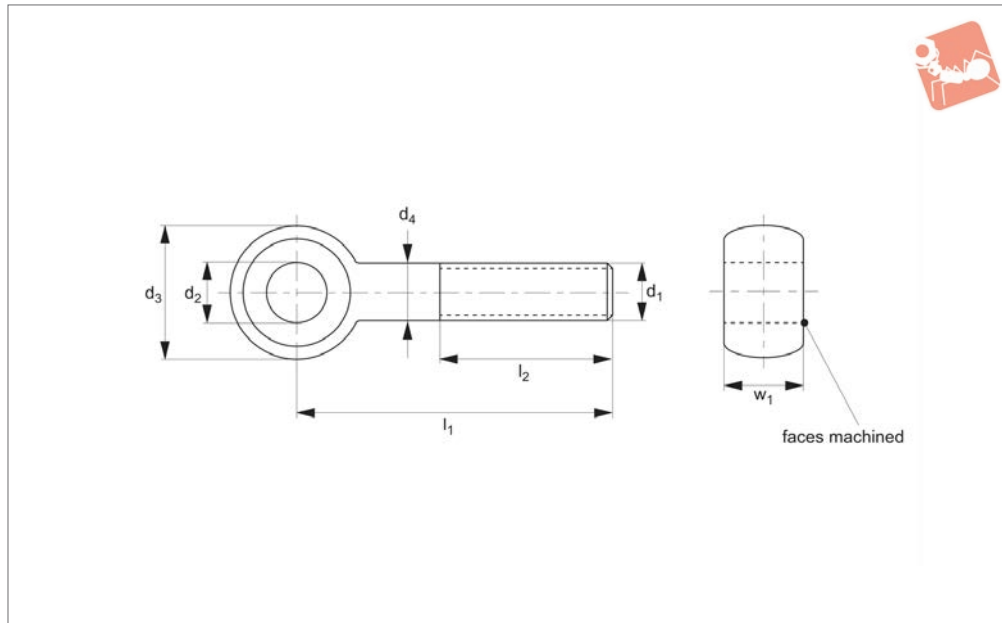


Stainless Swing Bolts

high tolerance



Swing Bolts



18830

SWING BOLTS

Material

Turned, thread rolled. Matt shot blasted.

Technical Notes

Produced to DIN 444.

Stainless steel 1.4305 (AISI 304).

Important Notes

These parts offer a high precision bore d_2 to tolerance H7, with faces w_1 machined flat.

For similar DIN 444 swing bolts to a standard tolerance see our part 18832.

Order No.	d_1	l_1	d_2 tol. H7	d_3	l_2	d_4	w_1 -0.15	Weight g
18830.W0051	M 5	50	5	12	32	5	6	10
18830.W0052	M 5	75	5	12	32	5	6	20
18830.W0061	M 6	50	6	14	32	6	7	14
18830.W0062	M 6	75	6	14	32	6	7	19
18830.W0081	M 8	50	8	18	32	8	9	26
18830.W0082	M 8	75	8	18	32	8	9	36
18830.W0101	M10	50	10	20	40	10	12	38
18830.W0102	M10	75	10	20	40	10	12	53
18830.W0103	M10	100	10	20	40	10	12	60
18830.W0121	M12	75	12	25	40	12	14	83
18830.W0122	M12	100	12	25	40	12	14	105
18830.W0123	M12	130	12	25	40	12	14	132
18830.W0161	M16	75	16	32	50	16	17	146
18830.W0162	M16	100	16	32	50	16	17	183
18830.W0163	M16	130	16	32	50	16	17	220
18830.W0164	M20	100	18	40	63	20	22	322



Swing Bolts - Overview

18820



Swing Bolts - High Tolerance

- Form B - DIN 444.
- Heat-treated steel, quality 8.8, blackened.
- Rolled thread, shaft \varnothing = thread \varnothing , faces machined.
- These parts offer a high precision bore d_2 to tolerance H7, with faces 'w₁' machined flat.

18822



Swing Bolts - Standard Tolerance

- Form B, DIN 444.
- Heat-treated steel, tempered, quality 8.8, black
- These parts have a bore d_2 with a standard tolerance H9 (faces 'w₁' are not machined).

18830



Stainless Swing Bolts - High Tolerance

- DIN 444.
- Stainless steel 1.4305 (AISI 304). Turned, thread rolled. Matt shot blasted.
- These parts offer a high precision bore d_2 to tolerance H7, with faces 'w₁' machined flat.

18832



Stainless Swing Bolts - Standard Tolerance

- DIN 444.
- Stainless steel 1.4301.
- These parts have a bore d_2 with a standard tolerance H9 (faces 'w₁' are not machined).