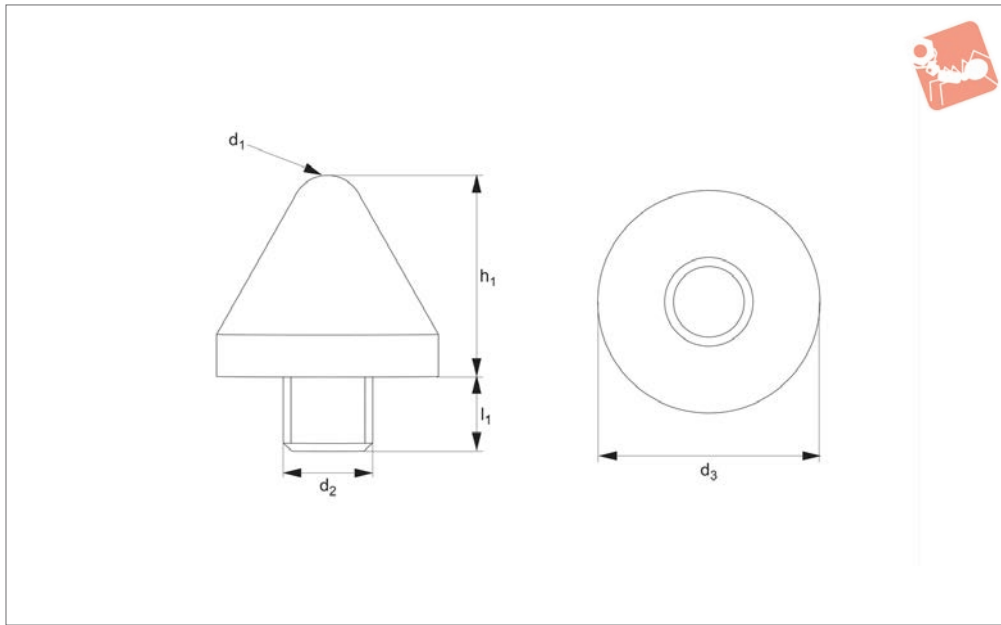




CMM Fixturing Positioning Cones

M 8 threads

Gauging & Inspection



19332

GAUGING & INSPECTION

Material

Cone: thermoplastic.
Stud: steel.

Important Notes

For resting cylindrical or curved parts.
Thermoplastic, offers non-marring attri-

bute.

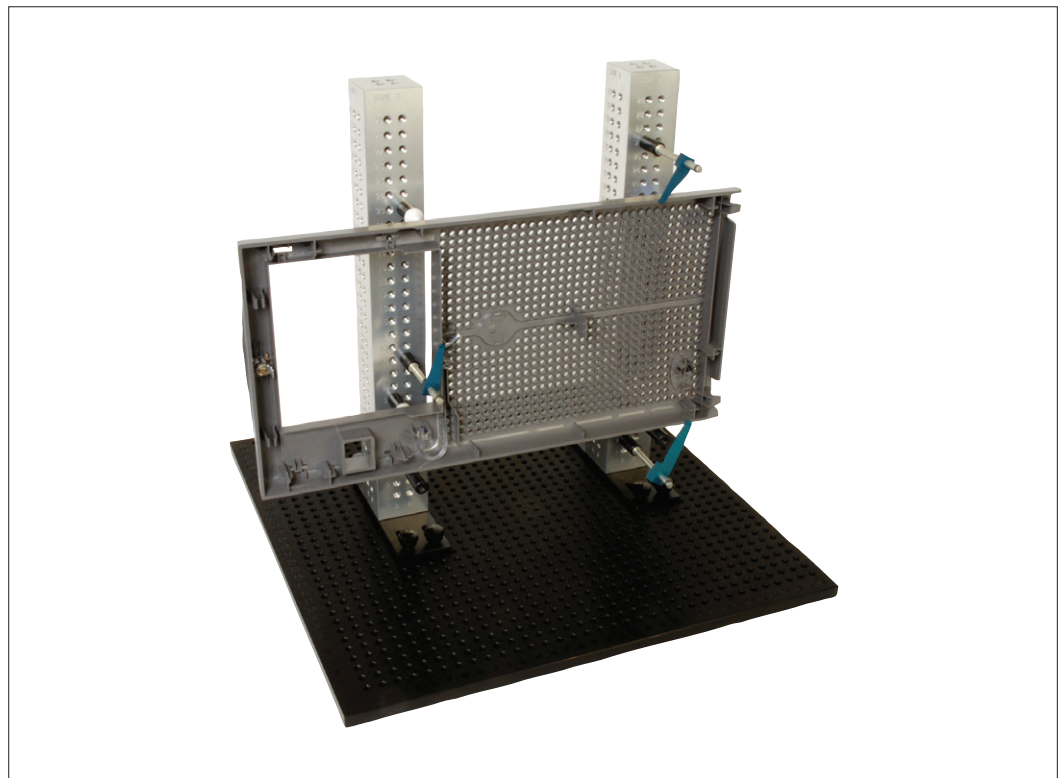
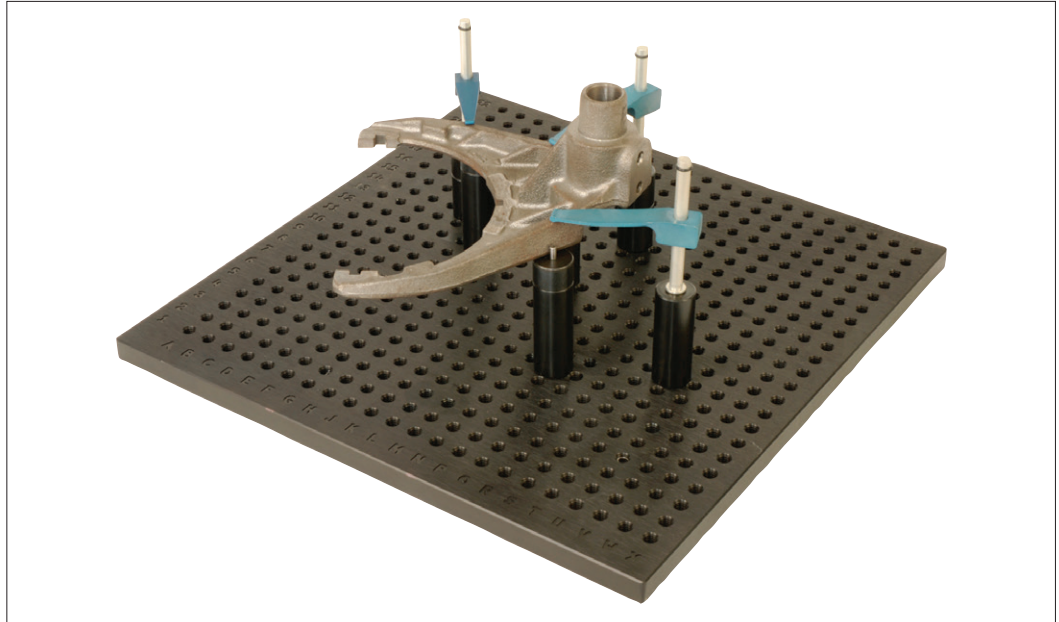
Order No.	d ₁	d ₂	d ₃	h ₁	l ₁	Weight g
19332.W1613	4	M 8	16	13	6.4	114



Wixroyd's CMM fixturing system is designed for easy assembly and high repeatability, eliminating the need to build dedicated fixtures. The system offers a highly accurate and flexible solution of holding parts while probing on CMMs.

Flexible

A variety of component parts as well as complete kits are available; to enable setup of fixtures in minutes.



- Aluminium base plates – hole based system with alpha-numeric labelling for easy set-up and recording of fixture positions.
- Fixture towers – ideal for fixturing of large vertical components.
- Soft-touch clamps – non-marking clamps providing the ideal force for holding parts during CMM probing.
- Locating components – rest pads, vee pads for cylindrical parts, pin rests etc.