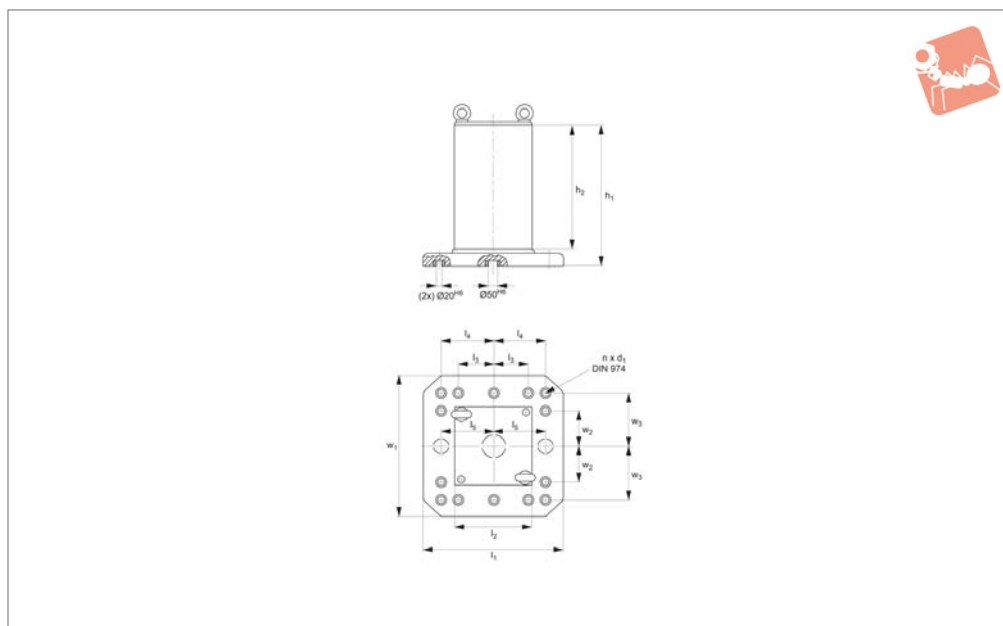
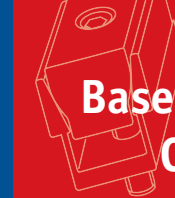




# Clamping Cubes

cast iron - semi-finished

## Base Plates & Clamping



**19560**

BASE PLATES & CLAMPING ANGLES

### Material

Cast iron (GG).

Order No.	$w_1 \times l_1$	$w_2$ $\pm 0.2$	$w_3$ $\pm 0.2$	$h_1$	$h_2$	$l_2$ $+1$	$l_3$ $\pm 0.2$	$l_4$ $\pm 0.2$	$l_5$ $\pm 0.013$	$d_1$	No. of holes n	For screw	Weight kg
<b>19560.W0210</b>	400x400	-	150	408	358	231	-	150	150	12	4	M12	134
<b>19560.W0410</b>	500x500	-	200	565	510	331	-	200	200	12	6	M12	265
<b>19560.W0610</b>	630x630	200	300	700	640	451	200	300	200	16	8	M16	427