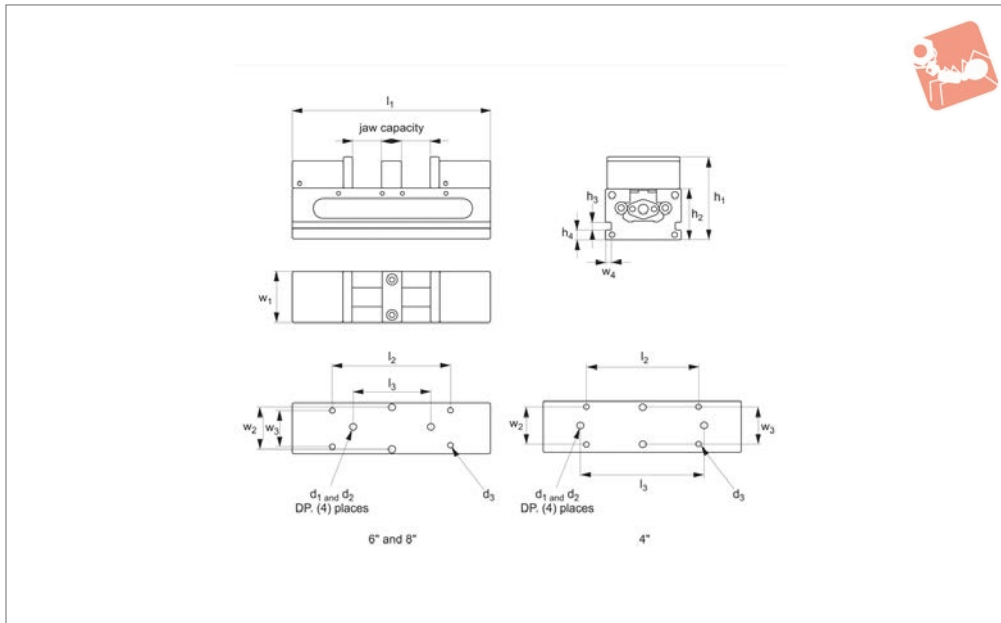




# Double Station Vice

## ReLock 2 - with machinable soft jaws

# Vice Clamping



## 19754

VICE CLAMPING

### Material

Body: 80000 PSI ductile cast iron.  
Sideways flame hardened to 40 HRC max.  
Machinable jaws: aluminium.

### Tips

Supplied with actuation handle, hex key and wrench.

### Important Notes

All dimensions are in inches.

### Technical Notes

Replacement parts available.

Order No.	Vice size	Set contents	Clamp pressure lb max.	Jaw capacity	$h_1$	$l_1$	$w_1$ +0.000 -0.002	$h_2$ ±0.005	Weight lb
19754.W0004	4"	Vice - 1 x 19752.W0004, Machinable jaws - 1 x 19790.W0401	6000	4,125 to 15,000	4"	16.0	4	2.50	40
19754.W0006	6"	Vice - 1 x 19752.W0006, Machinable jaws - 1 x 19790.W0601	12000	5,125 to 19,500	6"	20.5	6	3.25	86
19754.W0008	8"	Vice - 1 x 19752.W0008, Machinable jaws - 1 x 19790.W0801	16000	7,625 to 27,500	8"	28.5	8	4.00	149

Order No.	$h_3$	$h_4$	$d_1$	$d_2$ ±0.0005	$d_3$	$l_2$	$l_3$ ±0.001	$w_2$	$w_3$	$w_4$
19754.W0004	0.375	0.50	0.56	0.501	0.3125	9	10	3	3	0.190
19754.W0006	0.562	0.75	0.63	0.501	0.3125	12	10	5	4	0.250
19754.W0008	0.625	0.75	0.90	0.751	0.3125	16	14	6	6	0.312