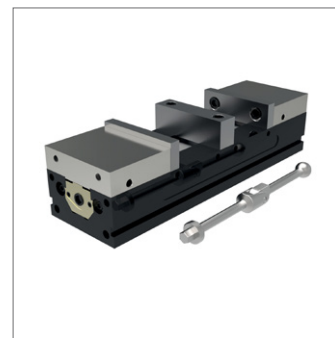
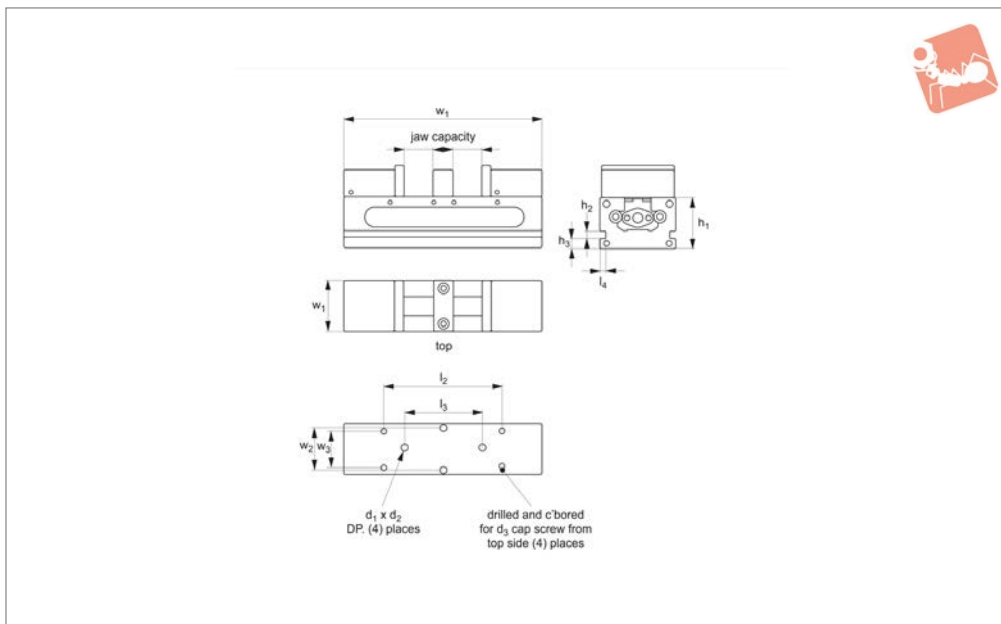




Double Station Vice

ReLock 2 - with hard jaws

Vice Clamping



19756

VICE CLAMPING

Material

Body: 80000 PSI ductile cast iron.
 Sideways flame hardened to 40 HRC max.
 Carrier jaws: aluminium.
 Hard jaws: steel.

Technical Notes

Replacement parts available.

Tips

Supplied with actuation handle, hex key

and wrench.

Important Notes

All dimensions are in inches.

Order No.	Vice size	Set contents	Clamping pressure lb max.	Jaw capacity	h_1 ± 0.0005	l_1	w_1 $+0.000 -0.002$
19756.W0004	4"	Vice - 1 x 19752.W0004, Carrier jaws - 1 x 19796.W0403, Hard jaws - 1 x 19892.W0401	6000	3,00 to 16,00	2.50	16.0	4
19756.W0006	6"	Vice - 1 x 19752.W0006, Carrier jaws - 1 x 19796.W0603, Hard jaws - 1 x 19892.W0601	12000	4,00 to 20,50	3.25	20.5	6
19756.W0008	8"	Vice - 1 x 19752.W0008, Carrier jaws - 1 x 19796.W0803, Hard jaws - 1 x 19892.W0801	16000	6,00 to 28,50	4.00	28.5	8

Order No.	h_2	h_3	d_1	d_2	d_3	l_2	l_3 ± 0.001	l_4	w_2 ± 0.03	w_3
19756.W0004	0.375	0.50	0.501	0.56	5/16-18	9	10	0.190	3	3
19756.W0006	0.562	0.75	0.501	0.63	3/8-16	12	10	0.250	5	4
19756.W0008	0.652	0.75	0.751	0.90	1/2-13	16	14	0.312	6	6