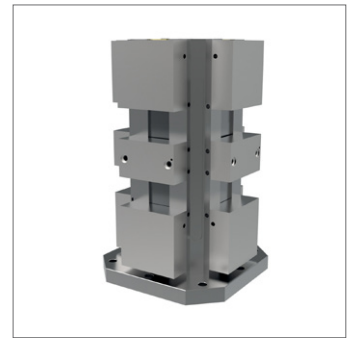
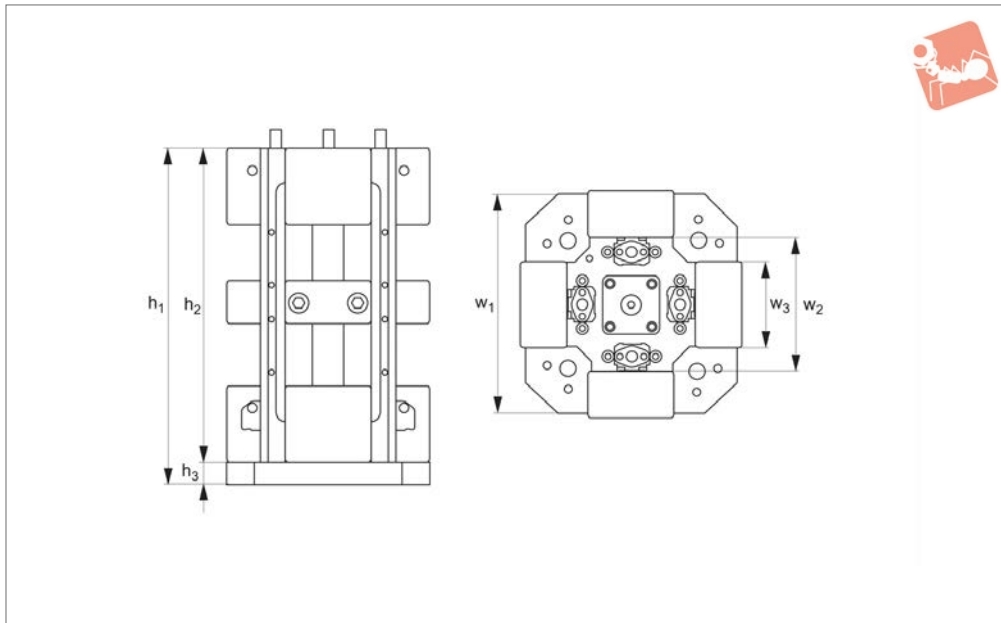




8 Station Vice - ReLock 8 with machinable soft jaws

Vice Clamping



19764

VICE CLAMPING

Material

Body: 80000 PSI ductile cast iron.
Sideways flame hardened to 40 HRC max.
Machinable jaws: aluminium.

Technical Notes

Replacement parts available.

Tips

Supplied with actuation handle, hex key and wrench.
Base plate designed to adapt to wide range of machine tables.
8-station vice columns can be located on a

pallet using edge location with shims or spacers (not supplied).

Important Notes

All dimensions are in inches unless stated *.

Order No.	Vice size	Set contents	Clamp pressure lb max.	Base type	Jaw capacity	h ₁	h ₂	h ₃	w ₁	w ₂ ±0.001	w ₃	Weight lb
19764.W0040	4"	Vice - 1 x 19762.W0040, Machinable jaws - 4 x 19790.W0401	6000	Inch	4,125 to 15,000	17.90	16.75	1.15	10.75	4	7	160
19764.W0041	4"	Vice - 1 x 19762.W0041, Machinable jaws - 4 x 19790.W0401	6000	Metri c	4,125 to 15,000	17.90	16.75	1.15	400*	4	7	160
19764.W0060	6"	Vice - 1 x 19762.W0060, Machinable jaws - 4 x 19790.W0601	12000	Inch	5,125 to 19,500	22.65	21.25	1.40	14.00	6	9	292
19764.W0061	6"	Vice - 1 x 19762.W0061, Machinable jaws - 4 x 19790.W0601	12000	Metri c	5,125 to 19,500	22.65	21.25	1.40	400*	6	9	292
19764.W0080	8"	Vice - 1 x 19762.W0080, Machinable jaws - 4 x 19762.W0801	16000	Inch	7,625 to 27,500	31.10	29.50	1.60	18.00	8	12	764