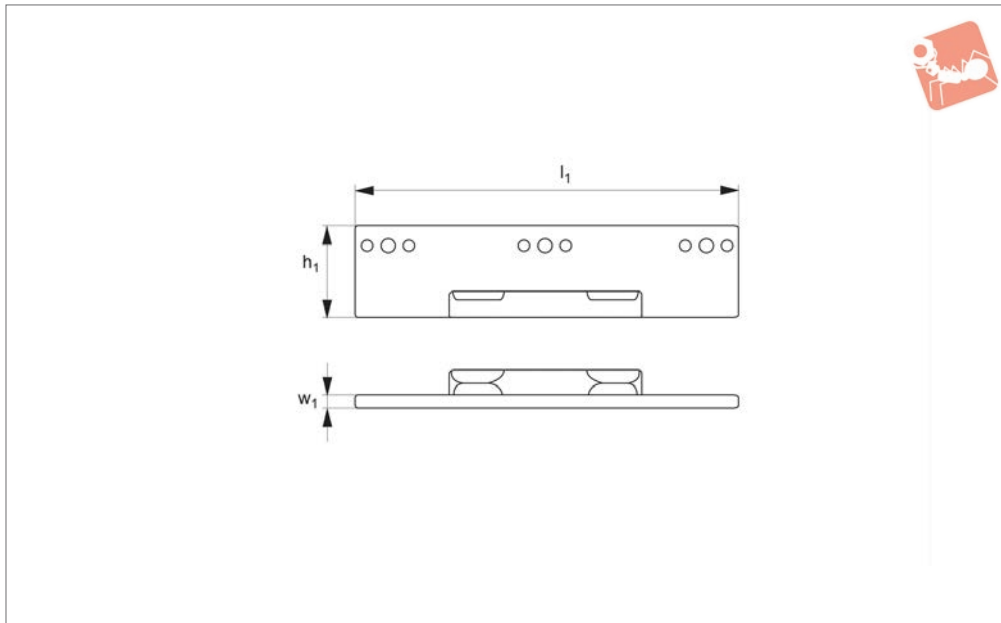




Vice Parallels - AccuSnap

for use with with AccuSnap master jaws 19810

Vice Clamping



19812

VICE CLAMPING

Material

Body: 80000 psi ductile cast iron.

Technical Notes

Use in conjunction with AccuSnap master

jaws 19810.

Parallels snap into position quickly and easily. Can be used with AccuSnap modular workstops (except sizes 19812.W0401,

W0402, W0601, W0602 and W0801).

Important Notes

All dimensions are in inches.

Order No.	Vice size	l_1	h_1 ± 0.0005	w_1
19812.W0401	4"	3.98	0.500	0.118
19812.W0402	4"	3.98	0.625	0.118
19812.W0403	4"	3.98	0.750	0.118
19812.W0404	4"	3.98	0.875	0.118
19812.W0405	4"	3.98	1.000	0.118
19812.W0406	4"	3.98	1.125	0.118
19812.W0407	4"	3.98	1.250	0.118
19812.W0408	4"	3.98	1.312	0.118
19812.W0601	6"	5.98	0.750	0.118
19812.W0602	6"	5.98	1.000	0.118
19812.W0603	6"	5.98	1.125	0.118
19812.W0604	6"	5.98	1.250	0.118
19812.W0605	6"	5.98	1.375	0.118
19812.W0606	6"	5.98	1.500	0.118
19812.W0607	6"	5.98	1.625	0.118
19812.W0608	6"	5.98	1.750	0.118
19812.W0609	6"	5.98	1.812	0.118
19812.W0801	8"	7.98	1.000	0.118
19812.W0802	8"	7.98	1.250	0.118
19812.W0803	8"	7.98	1.375	0.118
19812.W0804	8"	7.98	1.500	0.118
19812.W0805	8"	7.98	1.625	0.118
19812.W0806	8"	7.98	1.750	0.118
19812.W0807	8"	7.98	1.875	0.118
19812.W0808	8"	7.98	2.000	0.118
19812.W0809	8"	7.98	2.125	0.118
19812.W0810	8"	7.98	2.250	0.118