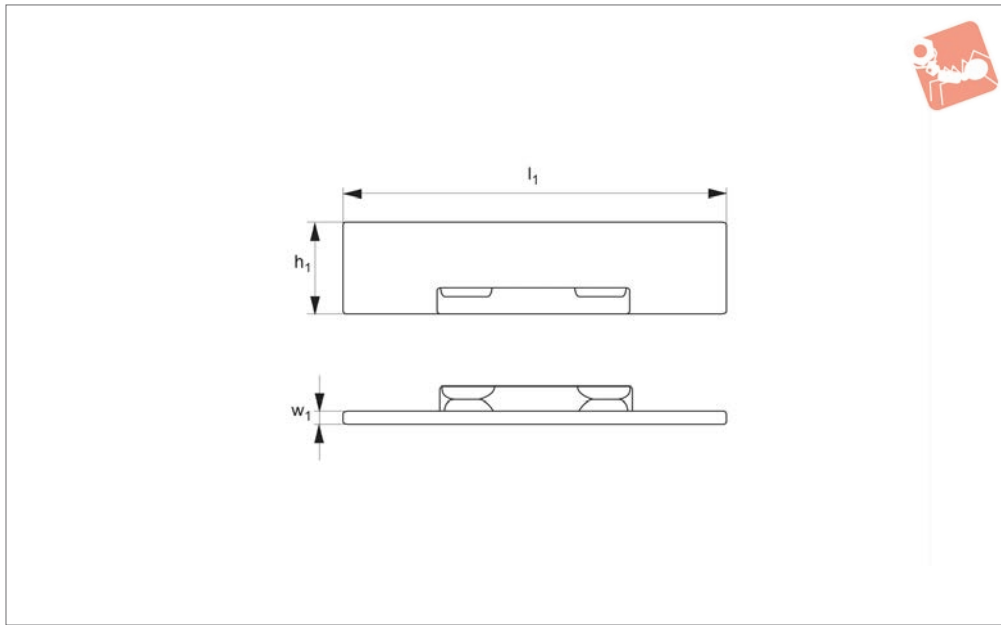




Machinable Vice Jaws - AccuSnap

for use with AccuSnap master jaws 19810

Vice Clamping



19820

VICE CLAMPING

Material

Aluminium or steel.

Jaws snap in position quickly and easily.

All dimensions are in inches.

Technical Notes

For use with our AccuSnap master jaws.

Important Notes

Sold individually. For a pair please order quantity of 2.

Order No.	For vice size	Material	l_1	h_1	w_1
19820.W0040	4"	Aluminium	3.98	1.5	0.690
19820.W0041	4"	Aluminium	3.98	1.5	1.255
19820.W0060	6"	Aluminium	5.98	2.0	0.750
19820.W0061	6"	Aluminium	5.98	2.0	1.500
19820.W0080	8"	Aluminium	7.98	2.5	1.250
19820.W0081	8"	Aluminium	7.98	2.5	2.500
19820.W0140	4"	Steel	3.98	1.5	0.690
19820.W0141	4"	Steel	3.98	1.5	1.255
19820.W0160	6"	Steel	5.98	2.0	0.750
19820.W0161	6"	Steel	5.98	2.0	1.500
19820.W0180	8"	Steel	7.98	2.5	1.250
19820.W0181	8"	Steel	7.98	2.5	2.500