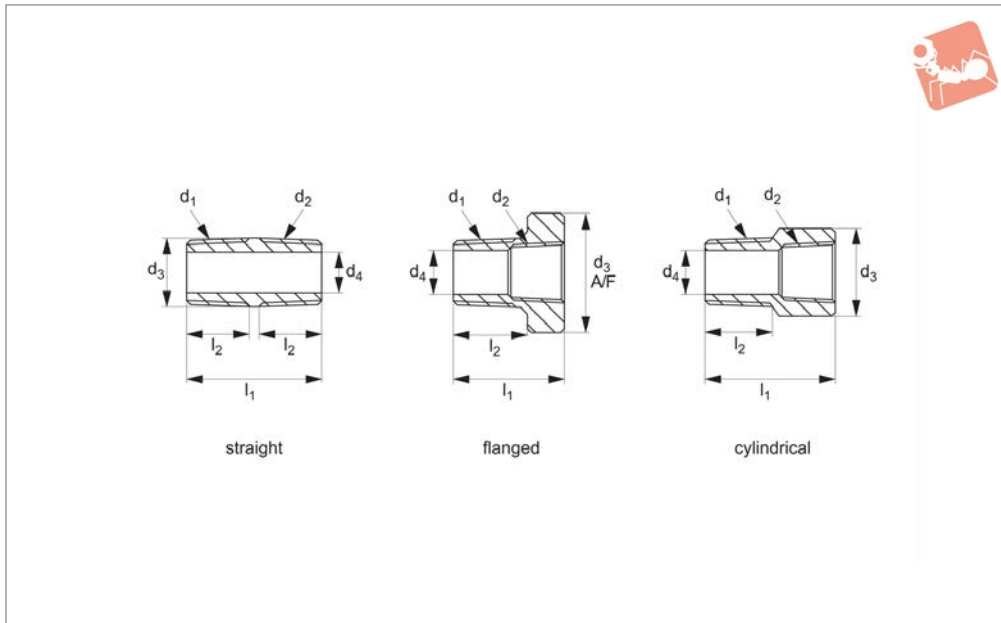




Fittings Connectors - Dual Fit

for coolant nozzle systems

Coolant Nozzles



20034

COOLANT NOZZLES

Material

Body: acetal or brass.

Technical Notes

Acetal Type:

Max. temperature: 70°C.

Max. pressure: 10 bar.

Brass Type:

Max. temperature: 150°C.

Max. pressure: 100 bar.

Connector only.

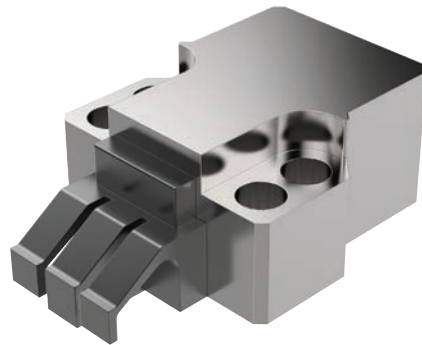
Tips

Fits both NPT and BSPT threads - allows you to use inch or metric fittings and nozzles. Particularly useful for 20018 (turret jets) and 20032 (cap jets).

Order No.	Material	Type	d ₃	d ₄	l ₁	l ₂	Thread d ₁	Thread d ₂
20034.W3120-A	Acetal	Straight	10.4	6.4	20.0	10	1/8" NPT/BSPT	1/8" NPT/BSPT
20034.W3250-A	Acetal	Straight	13.5	7.9	22.0	11	1/4" NPT/BSPT	1/4" NPT/BSPT
20034.W3370-A	Acetal	Straight	16.8	11.2	25.0	13	3/8" NPT/BSPT	3/8" NPT/BSPT
20034.W3121-A	Acetal	Straight	10.4	6.4	38.0	9	1/8" NPT/BSPT	1/8" NPT/BSPT
20034.W3251-A	Acetal	Straight	13.5	7.9	38.0	11	1/4" NPT/BSPT	1/4" NPT/BSPT
20034.W3371-A	Acetal	Straight	16.8	11.2	38.0	13	3/8" NPT/BSPT	3/8" NPT/BSPT
20034.W4250-A	Acetal	Flanged	14.2	7.9	16.5	11	1/4" NPT/BSPT	1/8" NPT/BSPT
20034.W4370-A	Acetal	Flanged	19.0	10.7	18.5	13	3/8" NPT/BSPT	1/4" NPT/BSPT
20034.W5120-A	Acetal	Cylindrical	11.7	6.4	20.0	10	1/8" NPT/BSPT	1/8" NPT/BSPT
20034.W5250-A	Acetal	Cylindrical	15.2	7.9	24.0	13	1/4" NPT/BSPT	1/4" NPT/BSPT
20034.W5370-A	Acetal	Cylindrical	18.5	9.4	26.0	14	3/8" NPT/BSPT	3/8" NPT/BSPT
20034.W3120-B	Brass	Straight	10.4	6.3	20.0	10	1/8" NPT/BSPT	1/8" NPT/BSPT
20034.W3250-B	Brass	Straight	13.5	7.9	22.0	11	1/4" NPT/BSPT	1/4" NPT/BSPT
20034.W3370-B	Brass	Straight	16.8	11.2	25.0	13	3/8" NPT/BSPT	3/8" NPT/BSPT
20034.W3121-B	Brass	Straight	10.4	6.4	38.0	9	1/8" NPT/BSPT	1/8" NPT/BSPT
20034.W3251-B	Brass	Straight	13.5	7.9	38.0	11	1/4" NPT/BSPT	1/4" NPT/BSPT
20034.W3371-B	Brass	Straight	16.8	11.2	38.0	13	3/8" NPT/BSPT	3/8" NPT/BSPT
20034.W4120-B	Brass	Flanged	14.2	7.0	20.6	13	M12x1,75	1/8" NPT/BSPT
20034.W4140-B	Brass	Flanged	15.7	7.9	10.2	7	M14x1,00	1/8" NPT/BSPT
20034.W4250-B	Brass	Flanged	14.2	7.9	16.5	11	1/4" NPT/BSPT	1/8" NPT/BSPT
20034.W4370-B	Brass	Flanged	19.0	10.7	18.5	13	3/8" NPT/BSPT	1/4" NPT/BSPT
20034.W5120-B	Brass	Cylindrical	11.7	6.4	20.0	10	1/8" NPT/BSPT	1/8" NPT/BSPT
20034.W5250-B	Brass	Cylindrical	15.2	7.9	24.0	13	1/4" NPT/BSPT	1/4" NPT/BSPT
20034.W5370-B	Brass	Cylindrical	18.5	9.4	26.0	14	3/8" NPT/BSPT	3/8" NPT/BSPT

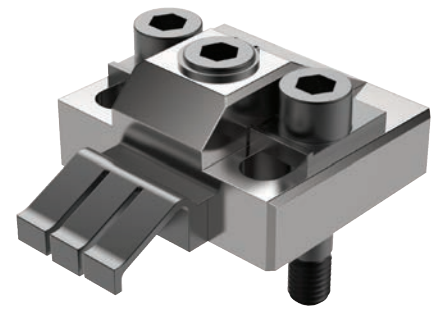


Clamping Torque



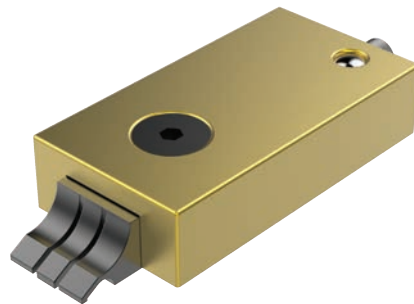
11040/CL2040

Clamping Torque N/m	Clamping Force N
50	23000
40	18000
30	12500
25	11500
20	9500



11070/CL2070

Clamping Torque N/m	Clamping Force N
60	16500
50	15000
40	12000
30	10000
25	8000
20	7000



11081/CL2081

Clamping Torque N/m	Clamping Force N
5	6600
4.5	5500
4	4900



10940/CL0030

Clamping Torque N/m	Clamping Force N
8.5	4000
8	3800
7	3400
6	3000
5	2500
4	2000



What Flow Rate of Coolant is Required?

Choose a nozzle with an orifice size that matches your pump's capacity.

Select an orifice size too big and coolant pressure will drop off, an orifice size too small and an inadequate amount of coolant will reach the tool tip and can result in damage.

Note: Flow rates are based on water at 20°. Actual results may vary with fluid type, extension length and aiming angle.

Calculating Coolant Velocity

Nozzle Extensions

A Word About Coolant Pumps

System pressure (bar)	0.35	0.7	1.4	2.0	2.8	4.1	5.5
Orifice diameter (mm)	Flow rate (litres/minute)						
1.02	0.32	0.45	0.64	0.77	0.91	1.18	1.41
1.57	0.86	1.14	1.68	2	2.32	2.82	3.32
2.18	1.64	2.32	3.27	3.86	4.55	5.46	6.82
2.79	2.91	4.09	6.36	7.27	8.18	10	11.37
4.06	6.36	9.09	12.73	15.91	18.18	21.82	25.46
5.59	11.37	16.82	23.64	30.46	35.46	42.28	48.19

System pressure (bar)	6.9	10.3	13.8	20.7	34.5	69.0	103.5
Orifice diameter (mm)	Flow rate (litres/minute)						
1.02	1.59	1.86	2.09	2.77	4	5.46	6.36
1.57	3.64	4.55	5.46	6.82	9.55	13.64	17.28
2.18	7.73	9.09	10.46	12.73	16.82	23.64	28.64
2.79	14.09	16.37	18.64	23.64	29.55	40.46	49.55
4.06	28.19	34.55	41.37	49.1	63.65	90.01	110.47
5.59	53.64	65.46	75.01	89.1	114.56	161.39	197.75

To calculate the average coolant exit velocity (important in some grinding operations where it is often desirable to match or exceed the peripheral velocity of the wheel) refer to the formula below. Choose an orifice size that produces sufficient back pressure to achieve the desired velocity.

$$V = \frac{(17.11 \times 10^{-5}) \times F}{(d \times 10^{-3})^2}$$

Where;

V = Velocity in m/s

C = Constant of 17.11 x 10⁻⁵

F = Flow rate through orifice in litres/min (see table above)

d = Orifice diameter (mm) from product tables

Choose a nozzle extension that suits your application. Short projections are more compact and less likely to be knocked out of position by swarf or vibration. Longer extensions are easier to aim, produce a more streamline or laminar flow and shoot further.

The most common coolant pump on CNC machine tools is a single stage centrifugal pump, normally designed to move high volumes of water at low pressure (typically 0.2 to 1.4 bar). Multi-stage centrifugal pumps are capable of higher pressures (typically 1.4 to 14 bar) while still producing high flow rates. Positive displacement pumps are used for very high pressure applications up to 140 bar and are generally used with small diameter orifices due to their lower flow rates.

