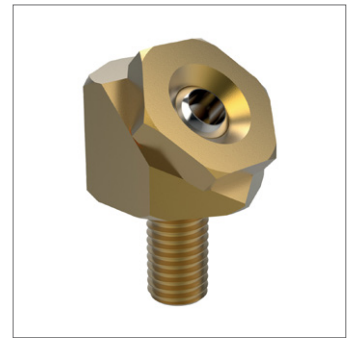
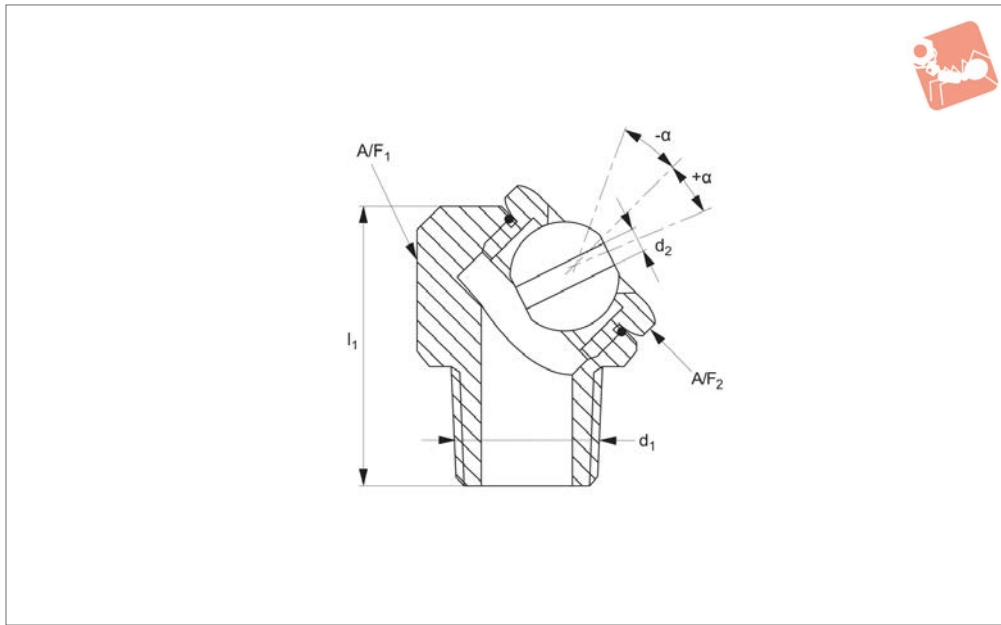




# Pressure Max - Coolant Nozzles

angled - max. 100 bar

## Coolant Nozzles



**20100**

COOLANT NOZZLES

### Material

Body: brass or stainless steel.  
Ball and tube: stainless steel.

### Technical Notes

Max. temperature: 70°C.  
Max. pressure: 100 bar.  
symbol $\alpha$ /symbol is an angle of adjustment either side of centre line.

Choose the stainless steel body version when using cutting oils not compatible with brass (such as oils containing active sulphur).

Choose the brass versions for lower cost.

### Tips

Interchangeable spray tips available allowing the orifice diameter and extension

length to be easily changed to suit the application.

A high velocity coolant stream increases productivity and tool life.

Also useful for low pressure applications where abrasive swarf can be a problem.

Order No.	Thread	Material	A/F <sub>1</sub>	d <sub>1</sub>	d <sub>2</sub>	l <sub>1</sub>	A/F <sub>2</sub>	$\alpha$
20100.W2061-B	NPT/BSPT	Brass	7/16"	1/16"	2.2	17.5	3/8"	±36°
20100.W2120-B	NPT/BSPT	Brass	9/16"	1/8"	3.0	20.6	1/2"	±41°
20100.W2121-B	NPT/BSPT	Brass	9/16"	1/8"	4.0	20.6	1/2"	±30°
20100.W2250-B	NPT/BSPT	Brass	5/8"	1/4"	3.0	23.8	9/16"	±44°
20100.W2251-B	NPT/BSPT	Brass	5/8"	1/4"	4.0	23.8	9/16"	±36°
20100.W2310-B	UNF	Brass	7/16"	5/16"-24	1.6	17.5	3/8"	±40°
20100.W2311-B	UNF	Brass	7/16"	5/16"-24	2.2	17.5	3/8"	±36°
20100.W2370-B	NPT/BSPT	Brass	3/4"	3/8"	4.0	28.6	11/16"	±42°
20100.W2371-B	NPT/BSPT	Brass	3/4"	3/8"	5.6	28.6	11/16"	±34°
20100.W2060-S	NPT/BSPT	Stainless steel	7/16"	1/16"	1.6	17.5	3/8"	±40°
20100.W2061-S	NPT/BSPT	Stainless steel	7/16"	1/16"	2.2	17.5	3/8"	±36°
20100.W2120-S	NPT/BSPT	Stainless steel	9/16"	1/8"	3.0	20.6	1/2"	±41°
20100.W2121-S	NPT/BSPT	Stainless steel	9/16"	1/8"	4.0	20.6	1/2"	±30°
20100.W2250-S	NPT/BSPT	Stainless steel	5/8"	1/4"	3.0	23.8	9/16"	±44°
20100.W2251-S	NPT/BSPT	Stainless steel	5/8"	1/4"	4.0	23.8	9/16"	±36°
20100.W2310-S	UNF	Stainless steel	7/16"	5/16"-24	1.6	17.5	3/8"	±40°
20100.W2311-S	UNF	Stainless steel	7/16"	5/16"-24	2.2	17.5	3/8"	±36°
20100.W2370-S	NPT/BSPT	Stainless steel	3/4"	3/8"	4.0	28.6	11/16"	±42°
20100.W2371-S	NPT/BSPT	Stainless steel	3/4"	3/8"	5.6	28.6	11/16"	±34°