

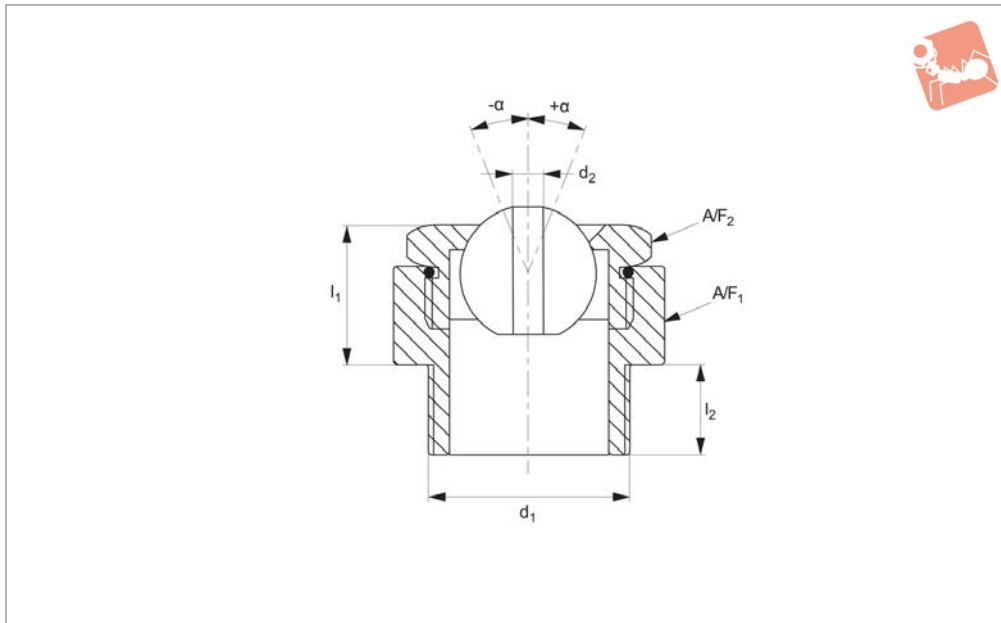


Pressure Max - Coolant Nozzles

straight - max. 100 bar



Coolant Nozzles



20101

COOLANT NOZZLES

Material

Body: stainless steel.
Ball: stainless steel.

Technical Notes

Max. temperature: 70°C.
Max. pressure: 100 bar.
symbol α /symbol is an angle of adjustment

either side of centre line.
Choose the stainless steel body version when using cutting oils not compatible with brass (such as oils containing active sulphur).

Tips

Interchangeable spray tips available allo-

wing the orifice diameter and extension length to be easily changed to suit the application.

A high velocity coolant stream increases productivity and tool life.
Also useful for low pressure applications where abrasive swarf can be a problem.

Order No.	Type	A/F ₁	d ₁	d ₂	l ₁	l ₂	A/F ₂	α
20101.W0100	Metric fine	7/16"	M10x1,25	1.6	9.5	9.1	3/8"	±40°
20101.W0101	Metric fine	7/16"	M10x1,25	2.2	9.5	9.1	3/8"	±36°
20101.W1060	Metric coarse	7/16"	M 6x1,00	1.6	9.5	7.6	3/8"	±40°
20101.W1061	Metric coarse	7/16"	M 6x1,00	2.2	9.5	7.6	3/8"	±36°
20101.W1080	Metric coarse	7/16"	M 8x1,25	1.6	9.5	8.4	3/8"	±40°
20101.W1081	Metric coarse	7/16"	M 8x1,25	2.2	9.5	8.4	3/8"	±36°
20101.W1100	Metric coarse	7/16"	M10x1,50	1.6	9.5	9.1	3/8"	±40°
20101.W1101	Metric coarse	7/16"	M10x1,50	2.2	9.5	9.1	3/8"	±36°