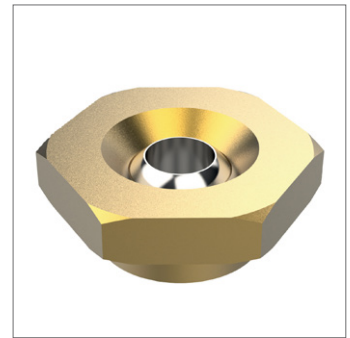
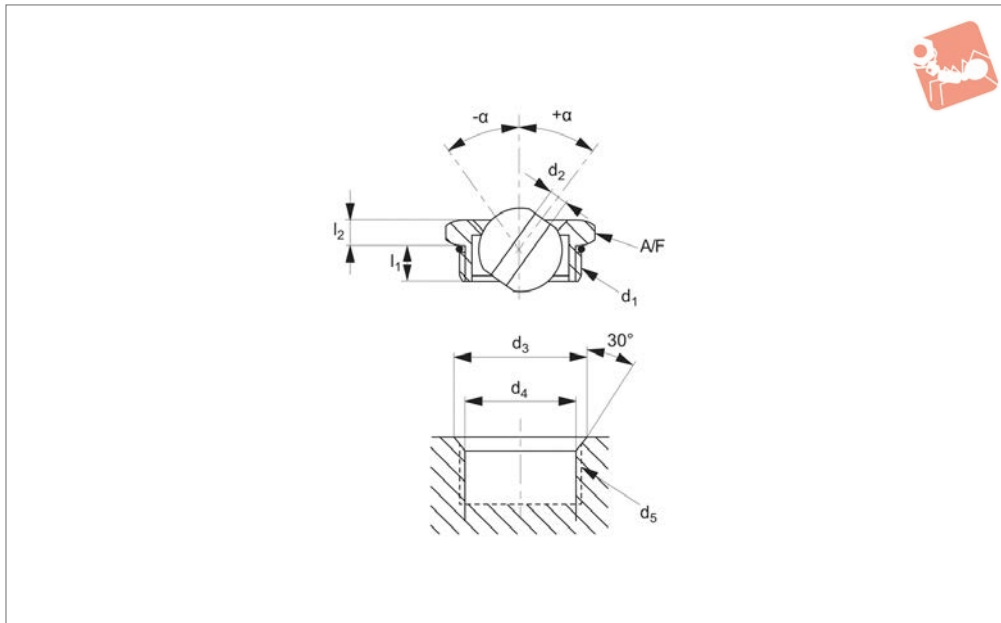




# Pressure Max - Spray Tips

max. 100 bar

## Coolant Nozzles



**20104**

COOLANT NOZZLES

### Material

Body: brass or stainless steel.  
Ball and tube: stainless steel.

### Technical Notes

Max. temperature: 70°C.  
Max. pressure: 100 bar.  
symbol $\alpha$ /symbol is an angle of adjustment either side of centre line.  
Choose the stainless steel body version

when using cutting oils not compatible with brass (such as oils containing active sulphur).  
Choose the brass versions for lower cost.

### Tips

Interchangeable spray tips available allowing the orifice diameter and extension

length to be easily changed to suit the application.  
A high velocity coolant stream increases productivity and tool life.  
Also useful for low pressure applications where abrasive swarf can be a problem.

Order No.	Body material	d <sub>1</sub>	d <sub>2</sub>	d <sub>3</sub> max.	d <sub>4</sub> max.	d <sub>5</sub>	l <sub>1</sub>	l <sub>2</sub>	A/F	$\alpha$
20104.W2310-B	Brass	5/16"-24 UNF	1.6	8.8	7.1	5/16"-24	3.5	2.3	3/8"	±40°
20104.W2311-B	Brass	5/16"-24 UNF	2.2	8.8	7.1	5/16"-24	3.5	2.3	3/8"	±36°
20104.W2440-B	Brass	7/16"-20 UNF	3.0	12.0	10.0	7/16"-20	4.0	2.3	1/2"	±41°
20104.W2441-B	Brass	7/16"-20 UNF	4.0	12.0	10.1	7/16"-20	4.0	2.3	1/2"	±30°
20104.W2500-B	Brass	1/2"-20 UNF	3.0	13.6	11.6	1/2"-20	4.0	2.3	9/16"	±44°
20104.W2501-B	Brass	1/2"-20 UNF	4.0	13.6	11.7	1/2"-20	4.0	2.3	9/16"	±36°
20104.W2630-B	Brass	5/8"-18 UNF	4.0	16.8	14.7	5/8"-18	5.3	2.3	11/16"	±42°
20104.W2631-B	Brass	5/8"-18 UNF	5.6	16.8	14.7	5/8"-18	5.3	2.3	11/16"	±34°
20104.W2310-S	Stainless Steel	5/16"-24 UNF	1.6	8.8	7.1	5/16"-24	3.5	2.3	3/8"	±40°
20104.W2311-S	Stainless Steel	5/16"-24 UNF	2.2	8.8	7.1	5/16"-24	3.5	2.3	3/8"	±36°
20104.W2440-S	Stainless Steel	7/16"-20 UNF	3.0	12.0	10.1	7/16"-20	4.0	2.3	1/2"	±41°
20104.W2441-S	Stainless Steel	7/16"-20 UNF	4.0	12.0	10.1	7/16"-20	4.0	2.3	1/2"	±30°
20104.W2500-S	Stainless Steel	1/2"-20 UNF	3.0	13.6	11.7	1/2"-20	4.0	2.3	9/16"	±44°
20104.W2501-S	Stainless Steel	1/2"-20 UNF	4.0	13.6	11.7	1/2"-20	4.0	2.3	9/16"	±36°
20104.W2630-S	Stainless Steel	5/8"-18 UNF	4.0	16.8	14.7	5/8"-18	5.3	2.3	11/16"	±42°
20104.W2631-S	Stainless Steel	5/8"-18 UNF	5.6	16.8	14.7	5/8"-18	5.3	2.3	11/16"	±34°

