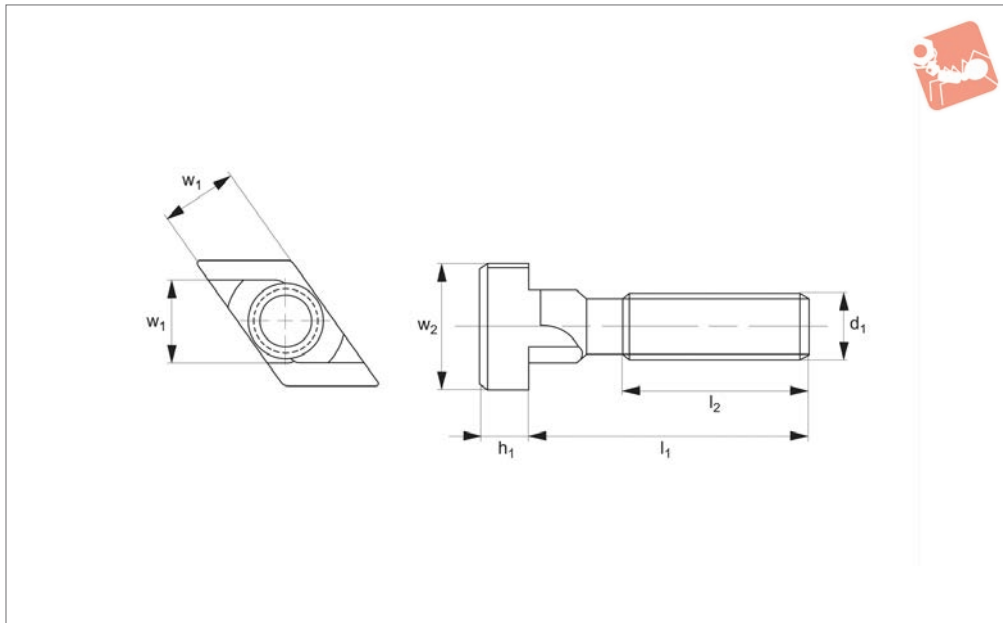




Rhombus T-Slot Bolt

strength class 8,8

T-Nuts & T-Bolts



21060

T-NUTS & T-BOLTS

Material

Forged steel, rolled thread, heat-treated.

Technical Notes

Tensile strength 8,8.

Tips

This unique T-slot bolt combines the integral strength of a one piece T-bolt, with the functionality of a rhombus type nut to

provide access to T-slots where workpiece layout prohibits the introduction of standard T-slot bolts no. 21000.

Order No.	$d_1 \times \text{T-Slot} \times l_1$	l_2	w_1	w_2	h_1	Weight g
21060.W0141	M12x14x50	35	13.7	22	8	70
21060.W0142	M12x14x80	55	13.7	22	8	100
21060.W0143	M12x14x125	75	13.7	22	8	120
21060.W0181	M16x18x63	45	17.7	28	10	160
21060.W0182	M16x18x100	65	17.7	28	10	220
21060.W0183	M16x18x160	100	17.7	28	10	280
21060.W0221	M20x22x80	55	21.7	35	14	330
21060.W0223	M20x22x125	85	21.7	35	14	430
21060.W0225	M20x22x200	120	21.7	35	14	570
21060.W0282	M24x28x125	85	27.7	44	18	770
21060.W0285	M24x28x250	150	27.7	44	18	1120